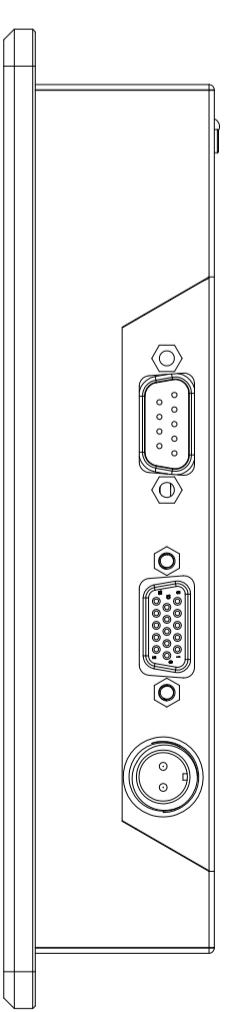
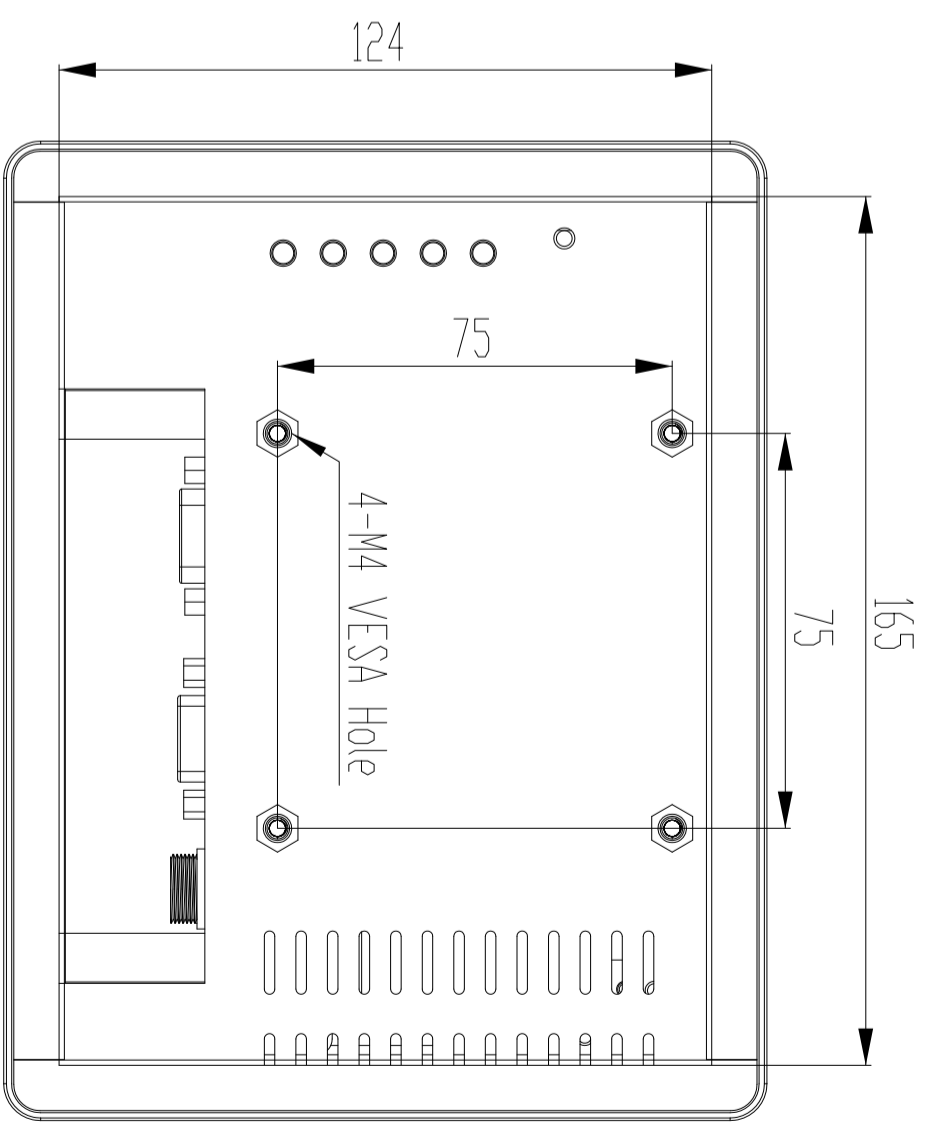
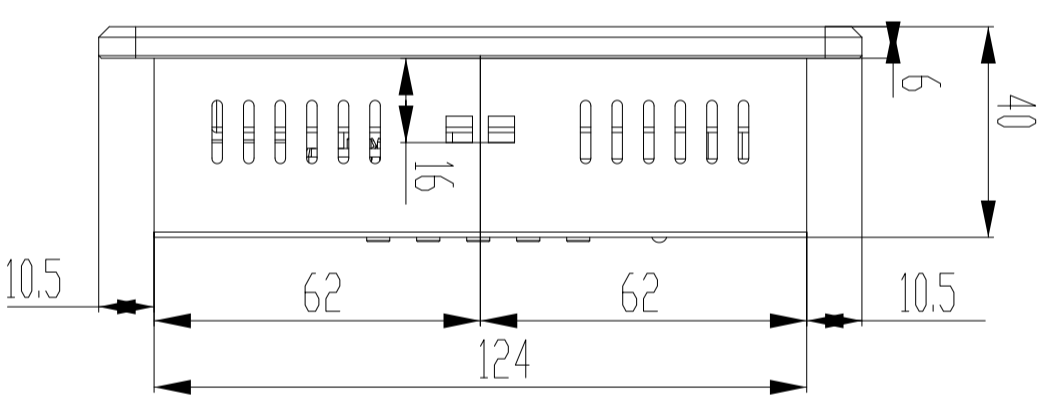
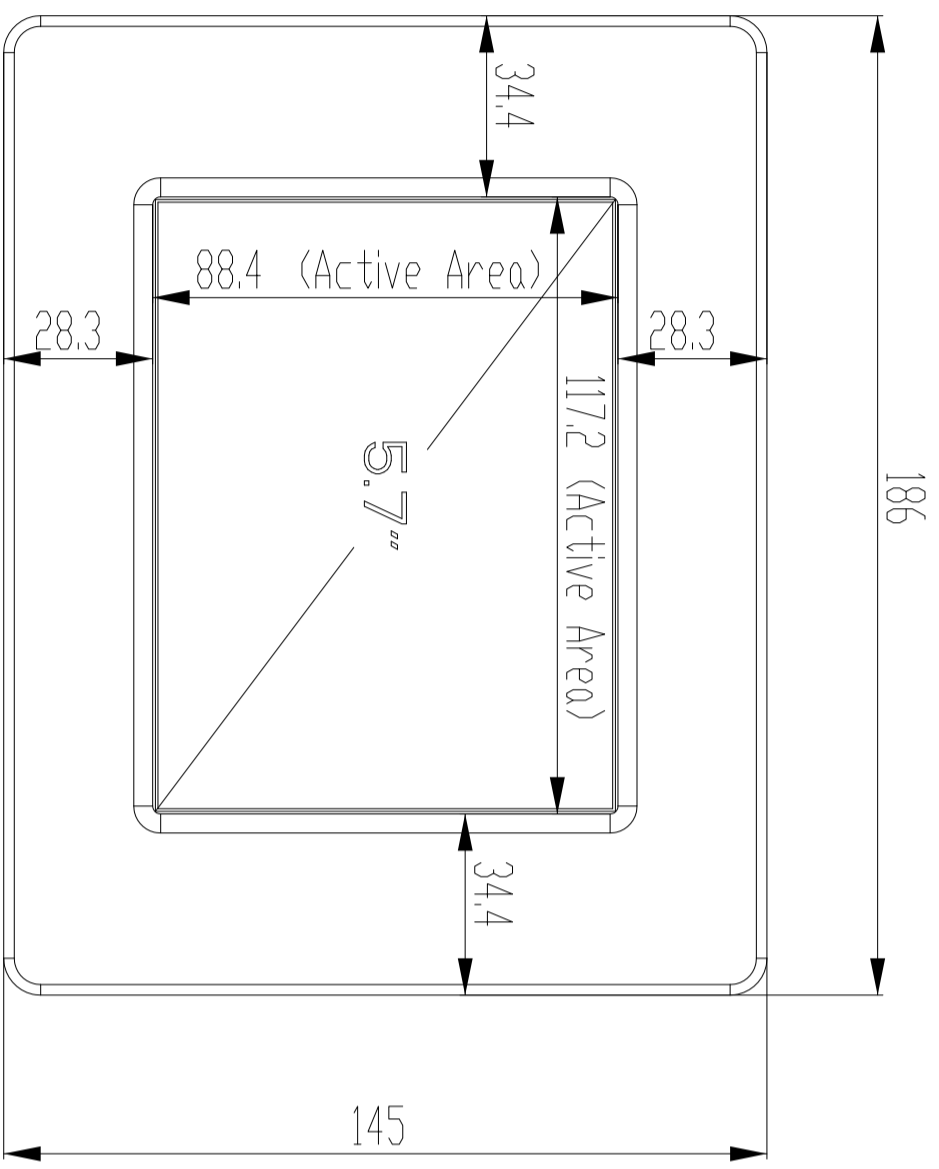
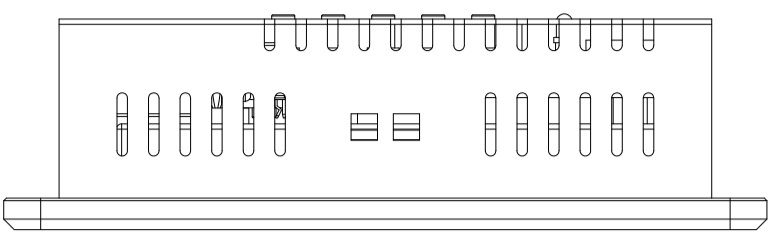
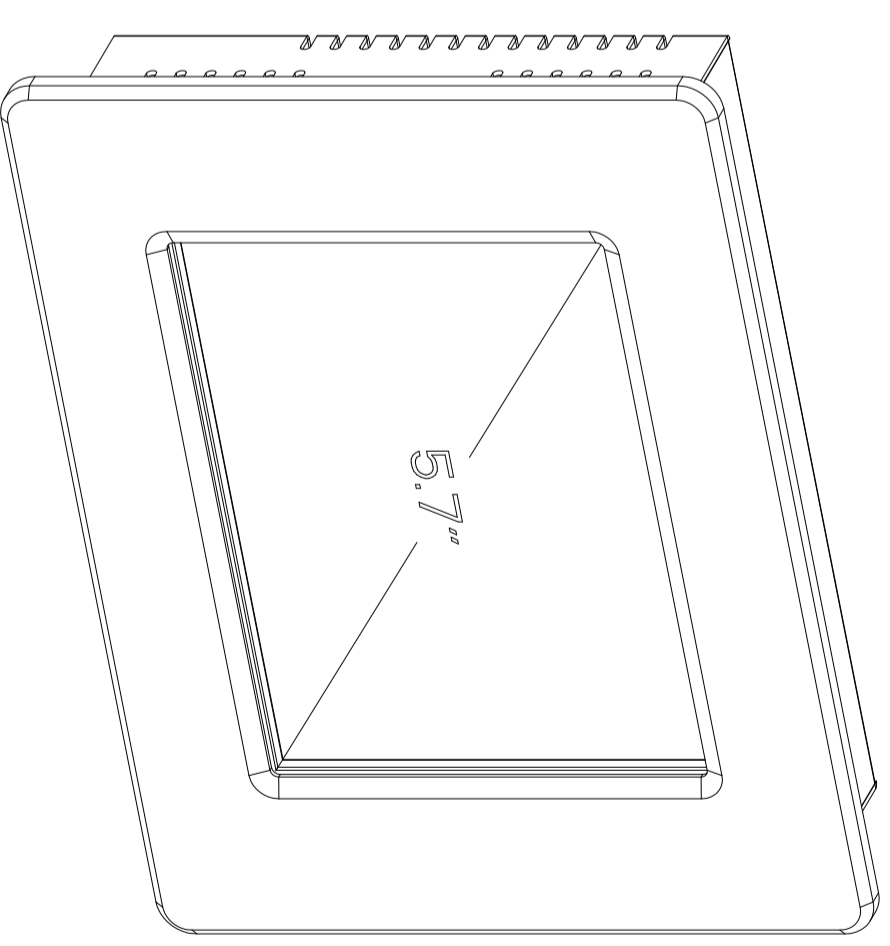
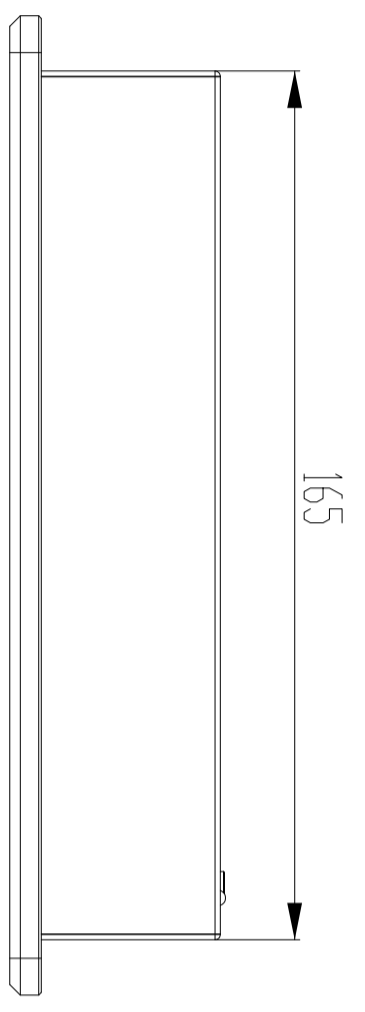



MARK	DATE	UPDATE DESCRIPTION	SIGN	APPROVER
△				



 www.anxinpc.com		FINISHING		PART NO.		Ver.	A0
		MATERIAL		MOLD NO.	IDM-057	Qty	1
APPROVED		CHECKED		TITLE		IDM-057-3D3V	
DESIGNED		DESIGNED	Yiran	DRAWING NO.	IDM-057-3D3V.DWG		
DATE		DATE	15-Jul-12	SIZE	A3	SCALE	0.25
TDL 30 < 30 : ±0.1 120 < 120 : ±0.15 315 < 315 : ±0.2 ANGLE TDL : ±0.25 ANGLE : ±0.5°		3RD ANGLE'S		UNIT : mm		DRAWING N.D.	
						IDM-057-3D3V.DWG	
						SHEET: 1 OF 1	