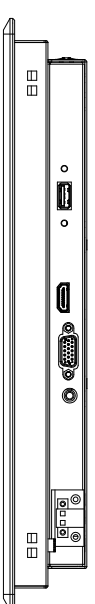
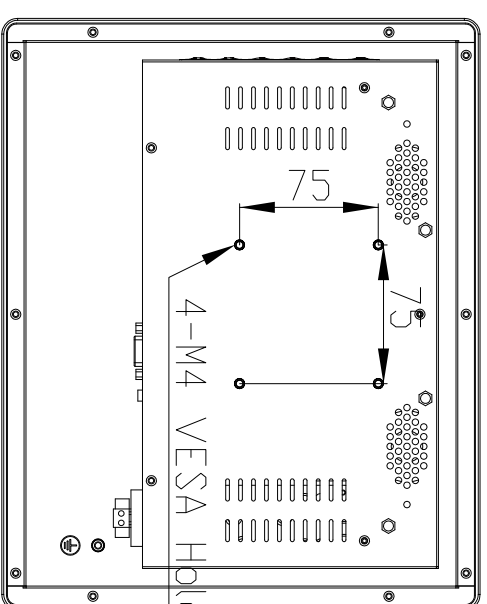
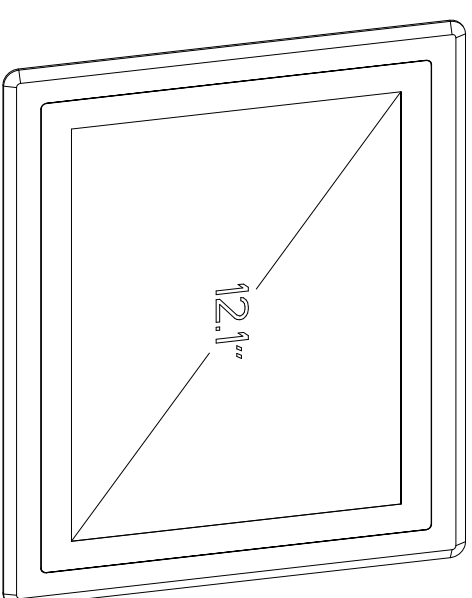
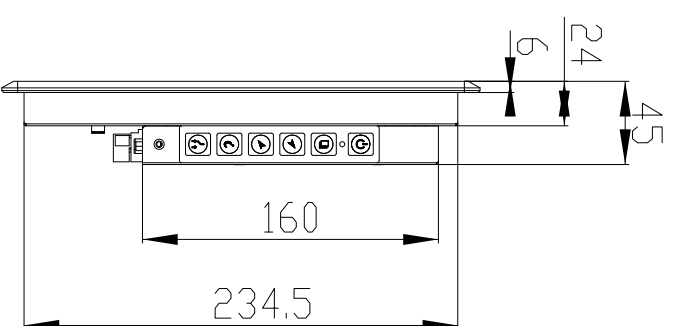
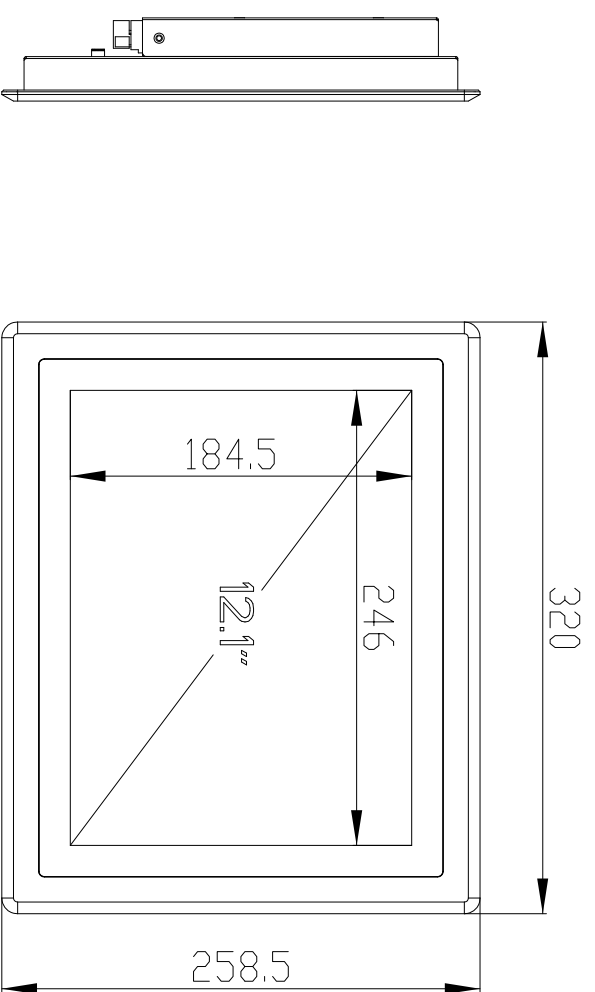
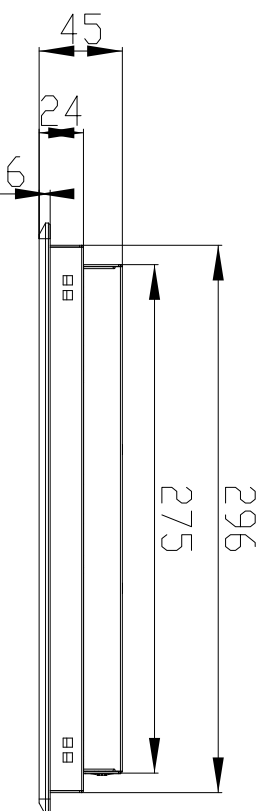



MARK	DATE	UPDATE DESCRIPTION	SIGN	APPROVER
△				



CUT OUT DIMENSION (298x236.5mm) UNIT:mm

* Note: this is a simplified drawing and some components are not marked in detail.
Please contact our sales representative if you need further product information.

 www.anxinpc.com		FINISHING	PART NO.	Ver.	A0
		MATERIAL	MOLD NO.	IDM-12VHT	Qty
UNIT : mm 3RD ANGLES		CHECKED	TITLE		
30 : ±0.1 120 : ±0.15 120 < 315 : ±0.2 315 < : ±0.25 ANGLE TDL : ±0.5°		DESIGNED	IDM-12VHT-3D3V		
TDL	DATE	DATE	DRAWING NO.	IDM-12VHT-3D3V.DWG	△
	28-Mar-16	28-Mar-16	SIZE	A3	SCALE
			SCALE	0.25	SHEET: 1 OF 1