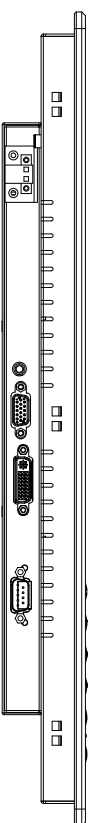
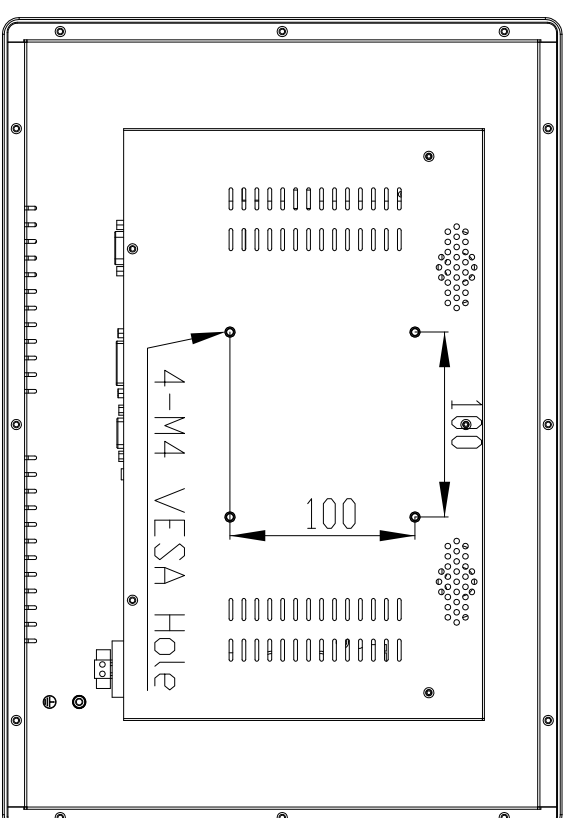
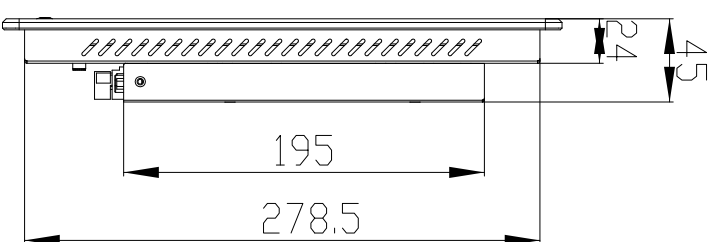
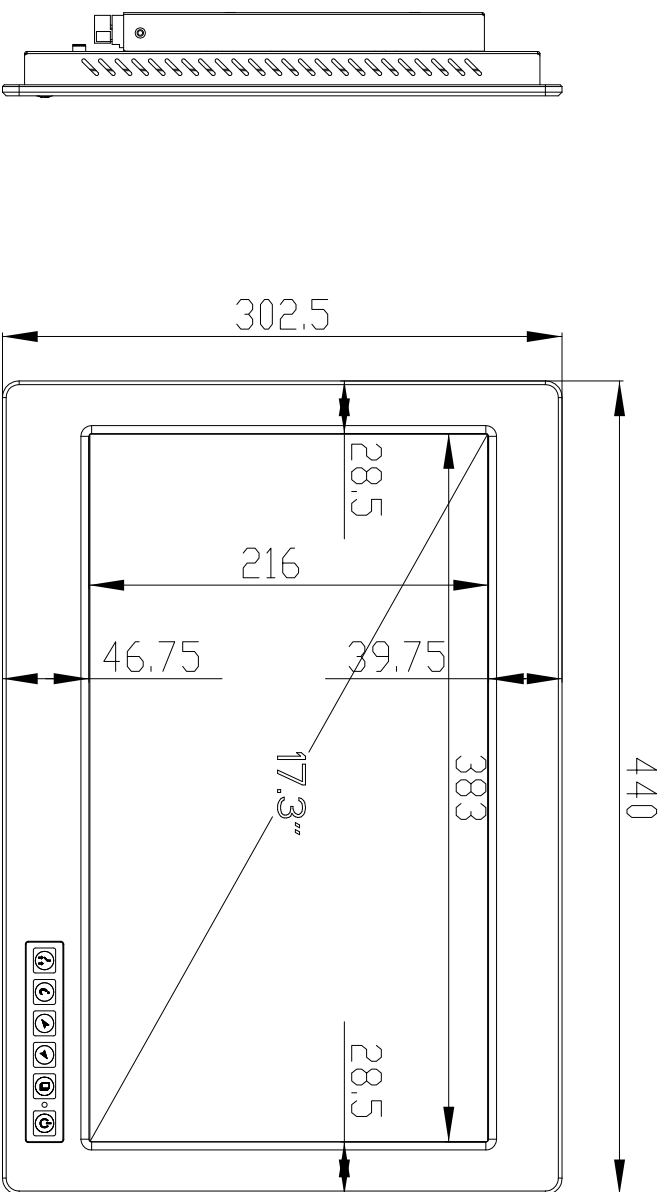
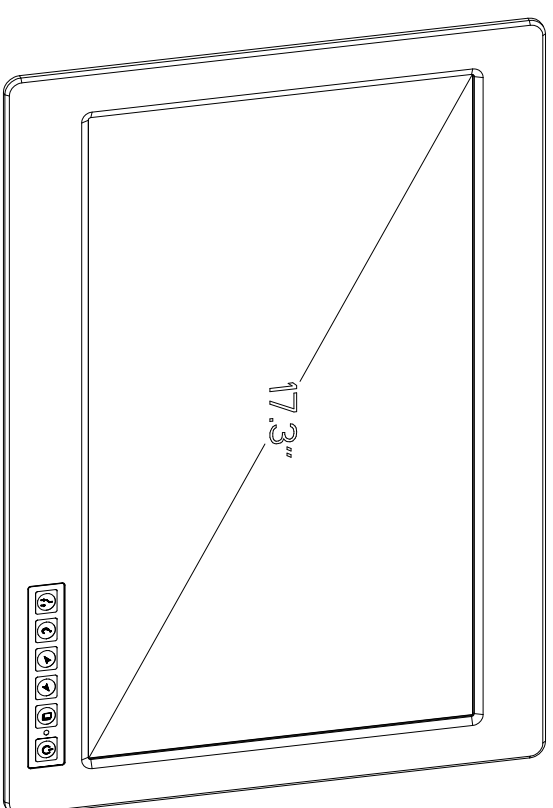
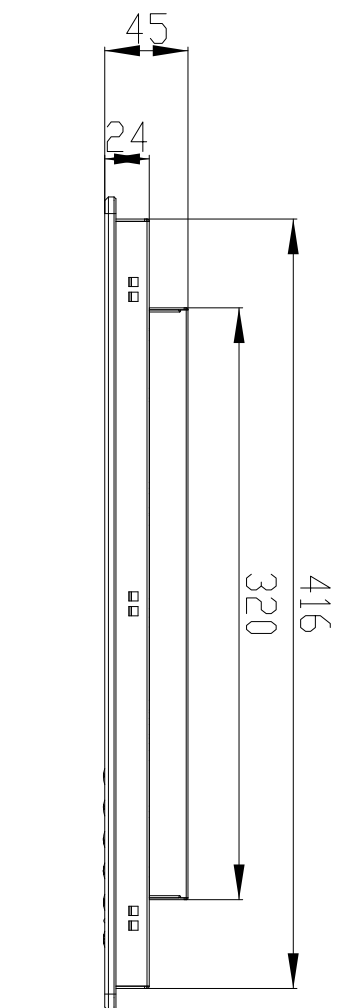


MARK	DATE	UPDATE DESCRIPTION	SIGN	APPROVER
△				



CUT OUT DIMENSION (418x280.5mm) UNIT:mm

* Note: this is a simplified drawing and some components are not marked in detail.
Please contact our sales representative if you need further product information.



TDL	30	120	315	30	120	315	±0.1	±0.15	±0.2	±0.25	±0.5°	UNIT : mm 3RD ANGLES DATE	APPROVED	CHECKED	DESIGNED	DATE	FINISHING	MATERIAL	PART NO.	MOLD NO.	IDM-173w	Ver.	A0
	30	120	315	30	120	315	±0.1	±0.15	±0.2	±0.25	±0.5°		APPROVED CHECKED DESIGNED DATE	Martin 18-Dec-17	IDM-173W IDM-173W.DWG	A3 SCALE 0.25 SHEET: 1 OF 1	18-Dec-17	Martin 18-Dec-17	IDM-173w	IDM-173w	1	A0	

1 2 3 4 5 6 7 8