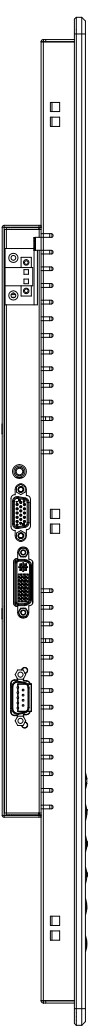
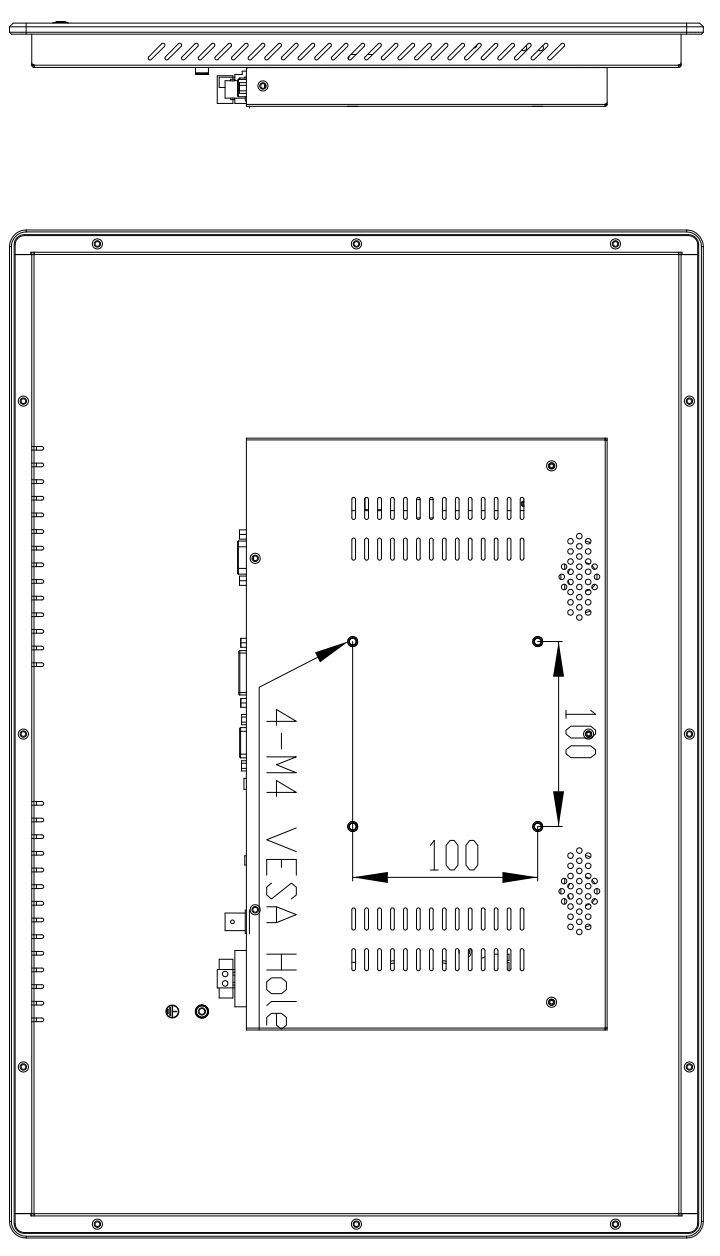
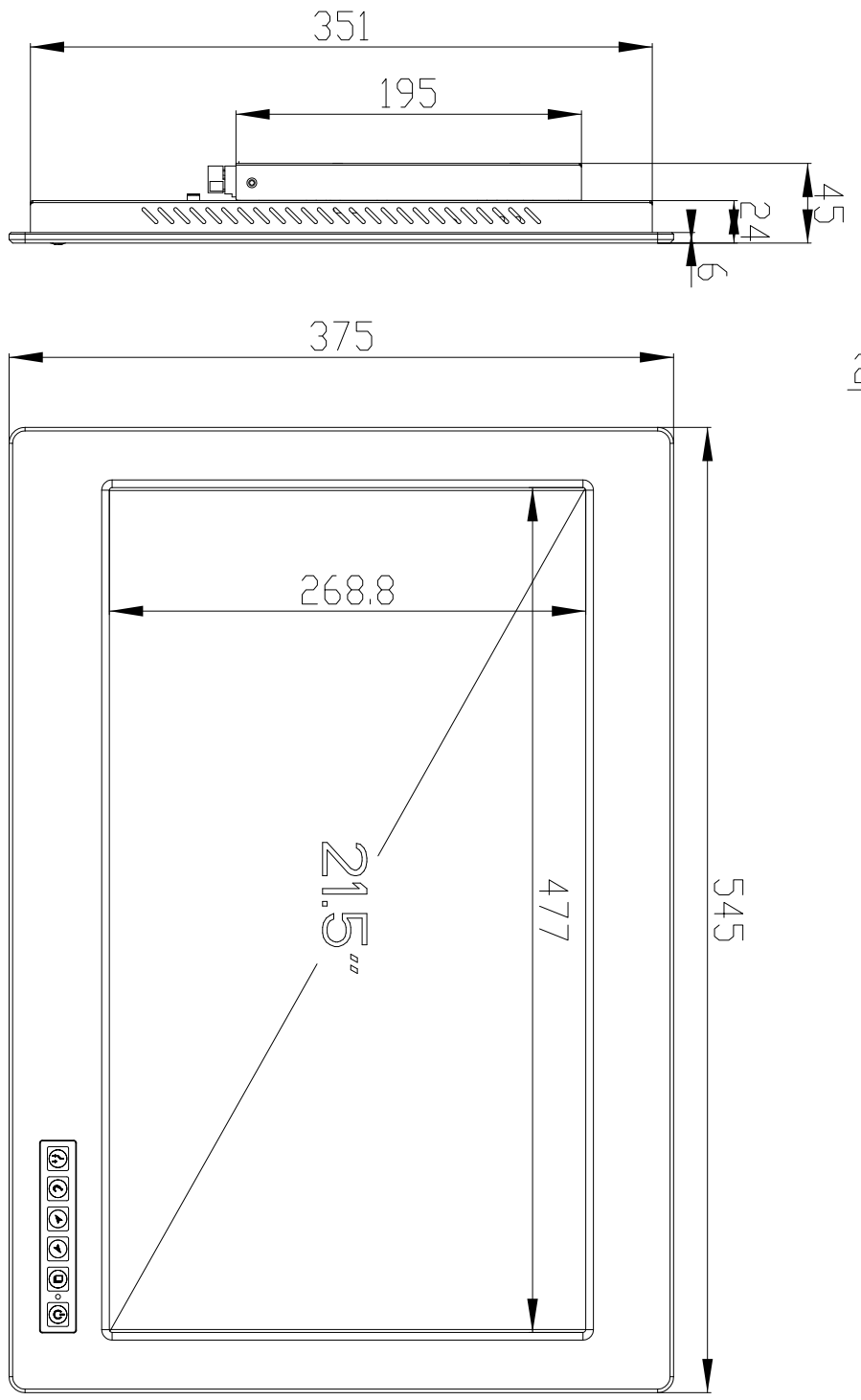
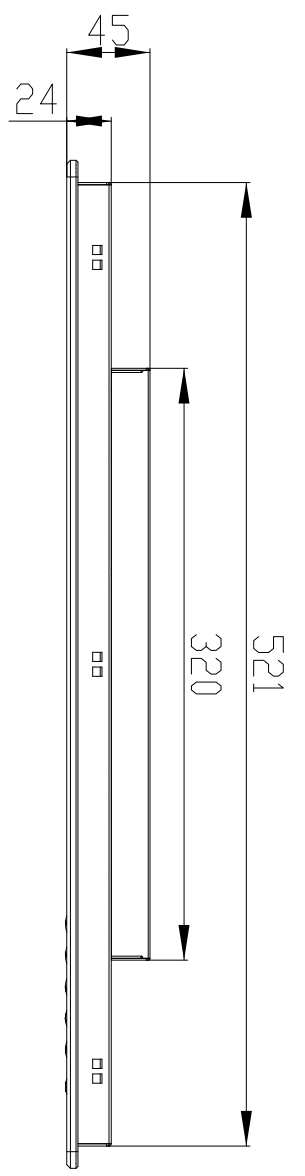
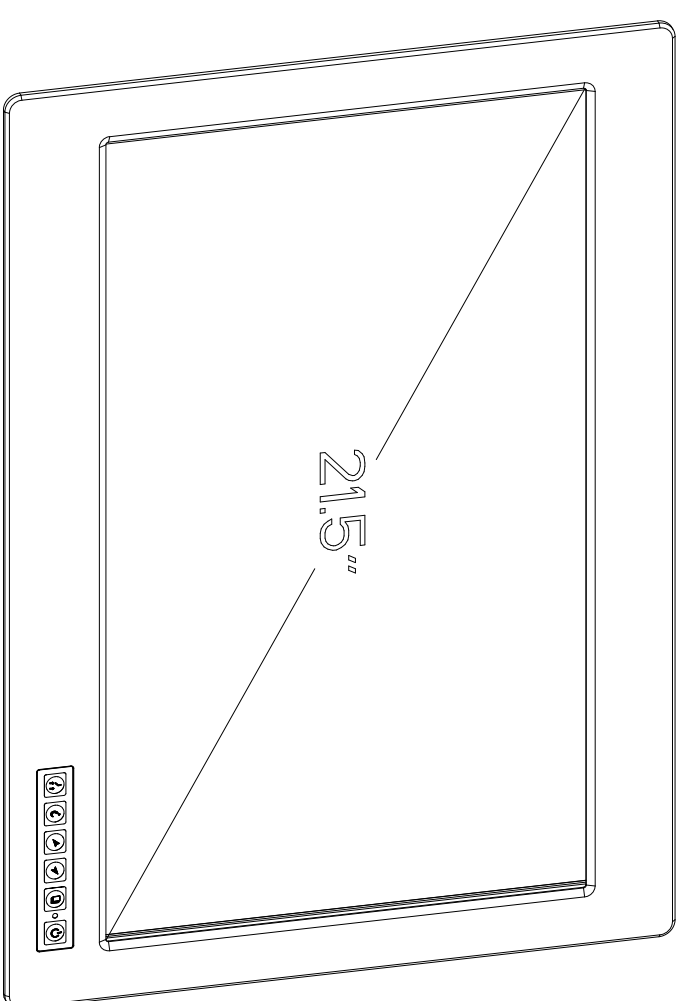


MARK	DATE	UPDATE DESCRIPTION	SIGN	APPROVER
△				



CUT OUT DIMENSION (523X353mm) UNIT:mm

* Note: this is a simplified drawing and some components are not marked in detail.
Please contact our sales representative if you need further product information.



TDL	< 30	±0.1	UNIT : mm	CHECKED		PART NO.	Ver.	A0	
	< 120	±0.15	3RD ANGLES	DESIGNED		MOLD NO.	IDM-215W	Qty	1
	< 315	±0.2	DATE	28-Dec-17	DRAWING NO.	IDM-215W.DWG	SCALE	025	SHEET: 1 OF 1
	ANGLE TDL : ±0.5								

