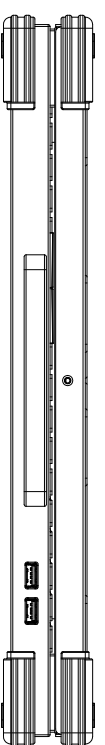
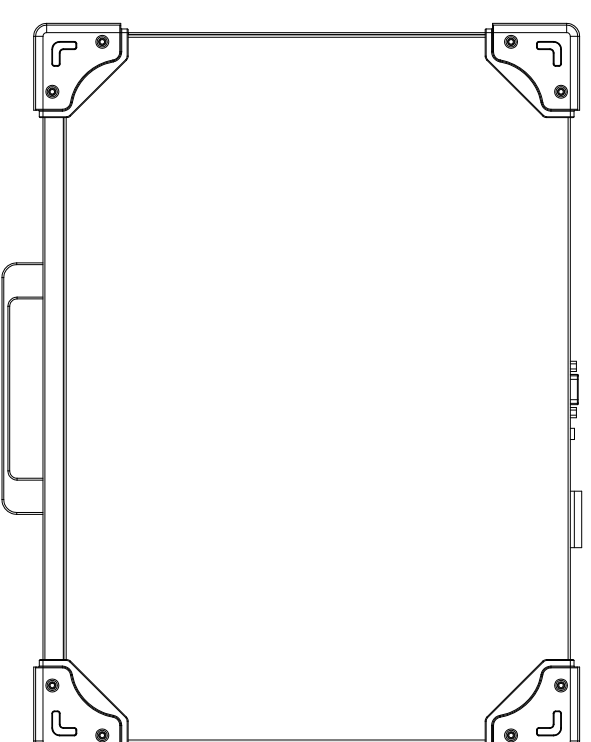
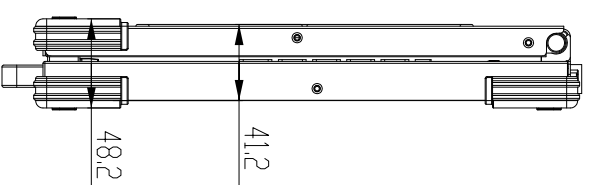
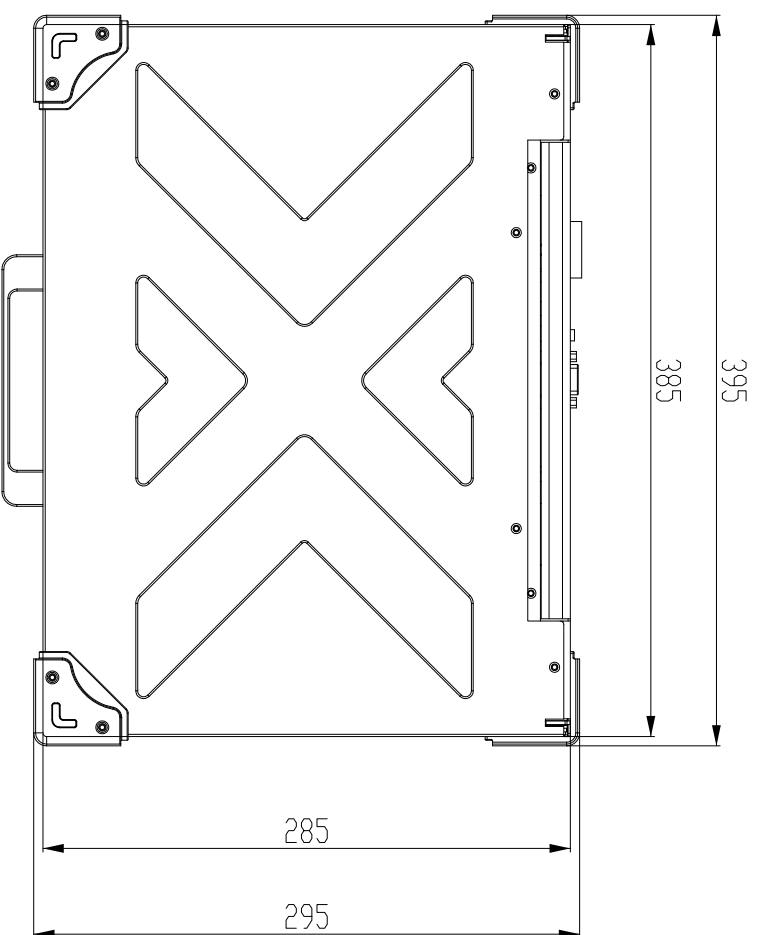
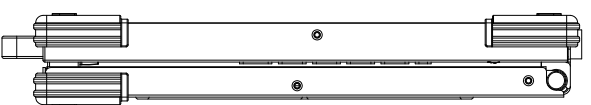
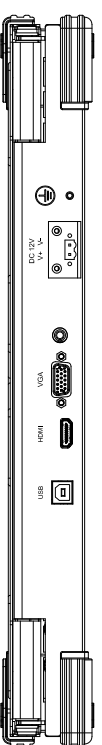
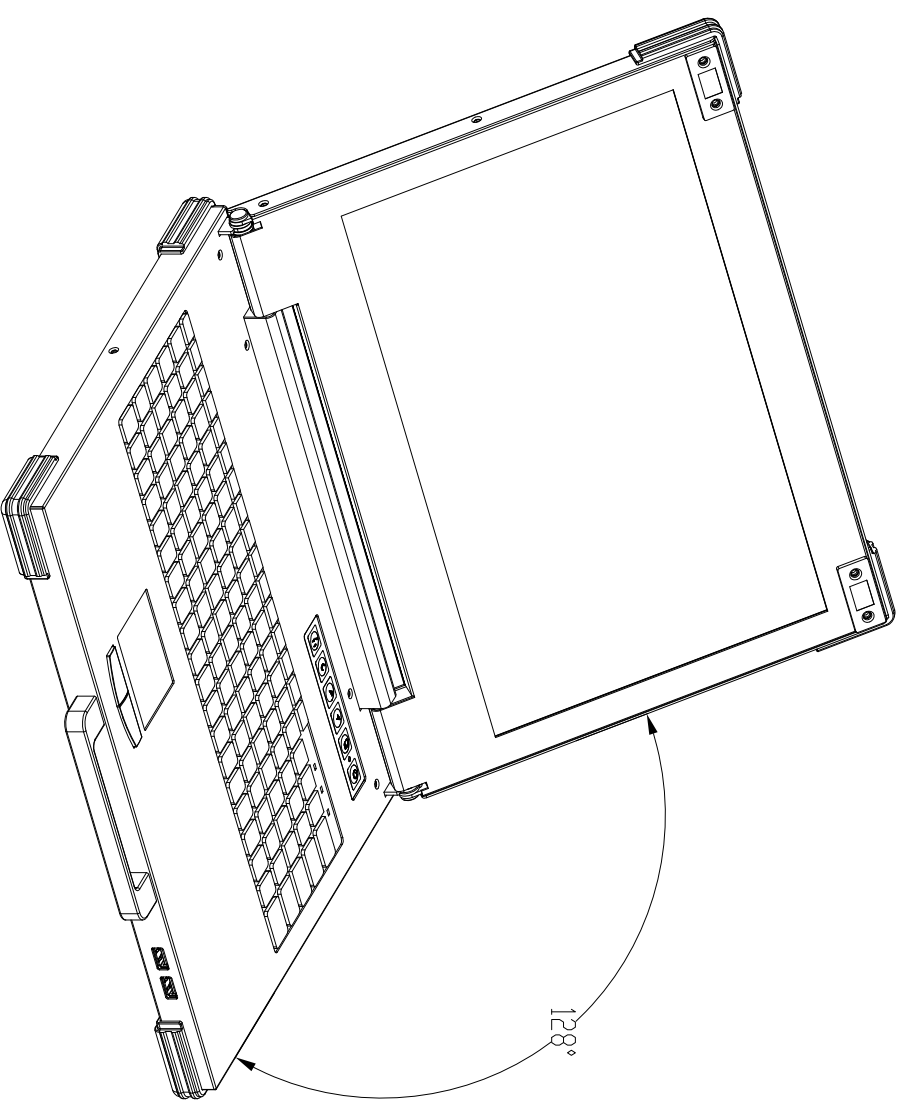



MARK	DATE	UPDATE DESCRIPTION	SIGN	APPROVER
△				



 <a href="http://www.anxinpc.com">www.anxinpc.com</a>		FINISHING	PART NO.	Ver.	A0			
		MATERIAL	MOLD NO.	IDMP-156 WK	Qty	1		
UNIT : mm 3RD ANGLES		CHECKED	TITLE		IDMP-156 WK			
DATE 18-Jan-22		DESIGNED	DRAWING NO.		IDMP-156WK.DWG			
TDL 30 < 120 : ±0.1 120 < 315 : ±0.15 315 < : ±0.2 ANGLE TDL : ±0.25 ±0.5°		DATE	SIZE	A3	SCALE	0.25	SHEET:	1 OF 1