

IPC-10A

Industrial Panel PC with 10.4" 800 x 600 LCD Panel



Features

- 10.4" SVGA TFT LCD Panel support 800x600 pixels
- 6mm Aluminum front bezel with resistive touch screen
- IP65 compliant aluminum front bezel
- Intel Celeron J1900 Quad Core 2.0G CPU
- Supports Windows Win7/Win8/Win10, Linux
- 3xCOM(2*RS232,RS422/RS485) , 1x LPT, 2x PS/2, 1xVGA, 4xUSB2.0, 2xLAN, 1x Audio, MIC
- 1* Mini PCIe slot for wifi optional
- Standard DC 12V input AC power adapter(optional DC 8-30V input)
- Panel (Flush) mount with clips
- Standard VESA 75/100mm support stand , wall mount and swing arm

Specifications

| System | |
|----------------------|--|
| Processor | Intel Celeron J1900 CPU |
| Chipset | Intel Bay trail SOC |
| Memory | DDR3 4G RAM(MAX 8G) |
| Graphic | Intel HD chipset |
| Storage | 2.5" SSD/HDD (Size optional), |
| Ethernet | 2 x 100/1000 LAN ports |
| Vedio | 1 x VGA |
| Audio | 1x Mic-in, 1x Line-out |
| USB Port | 4 x USB2.0 |
| Serial Port | 3*COM (2* RS232,1*RS422/485) |
| Keyboard/Mouse ports | 2x PS/2 |
| Parallel ports | 1 x LPT (SPP/EPP/ECP port) |
| Power switch | 1 x Power Switch |
| Expansive Slot | 1 x Mini PCIe |
| Power supply | 1 x DC input terminal connector |
| Construction | Front aluminum bezel and steel chassis |
| LCD Panel | |
| Display Type | 10.4" SVGA TFT LCD |
| Resolution | 800x 600 |
| Max.color | 16.2M |
| Luminance | 250 cd/m2 |

| | |
|----------------|-------------------|
| View Angle | 140°(H) , 110°(V) |
| Pixel Pitch | 0.264 x 0.264 mm |
| Contrast Ratio | 600:1 |
| Response Time | 35 ms |
| LCD MTBF | 50,000hrs |

Available Options

| | |
|--------------|-----------------------------|
| Touch screen | Resistive type touch screen |
| Wireless LAN | Meet IEEE802.11b/g standard |

Mechanical and Environmental

| | |
|-----------------------|--------------------------------|
| IP Level | Front panel IP65-rated |
| Dimensions (WxHxD) | 287.4 x 227.4 x 68 mm |
| Weight | Net: 4.5kg , Gross:7kg |
| Operating temperature | -10°C~ 60°C (-14~140°F) |
| Storage temperature | -20°C ~ 70°C (-4 ~ 158°F) |
| Storage humidity | 5% to 95% @40°C non-condensing |
| Anti-Vibration | 17HZ-500 HZ 1G PTP |
| Anti-Shock | 1G / peak(11m sec) |

Power Supply

| | |
|---------------------------|---|
| Input | 100~240VAC,50/60Hz, external ac adapter |
| Output | DC 12V, output 26W |
| DC Power Input (Optional) | Wide Range 8~30v DC input |

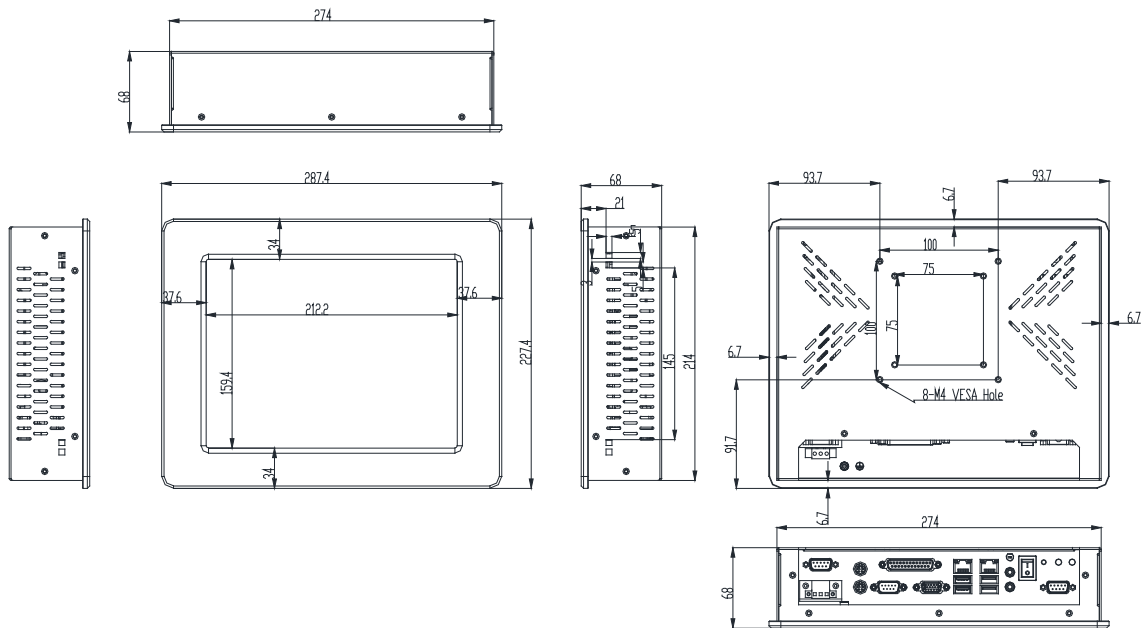
IPC-10A

Pictures & Views



Dimensions Diagram

Dimensions (WxHxD): 287.4 x 227.4 x 68 mm



Ordering information

| Model | Descriptions |
|----------|--|
| IPC-10A | 10.4 inches industrial panel PC, with Intel J1900 Processor, 4G RAM(Opional 8G), 2.5" SSD/HDD (Size optional), 3xCOM(2* RS232,1*RS485), 1x LPT, 2x PS/2, 1xVGA, 4xUSB, 2xLAN, 1x Audio, MIC, Resistive Touch Screen, 12V power adapter |
| IPC-10AL | IPC-10A + Mini-PCIE wireless Lan card with antenna |