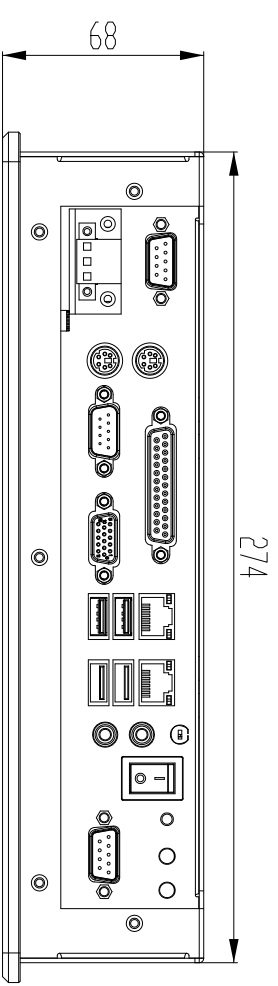
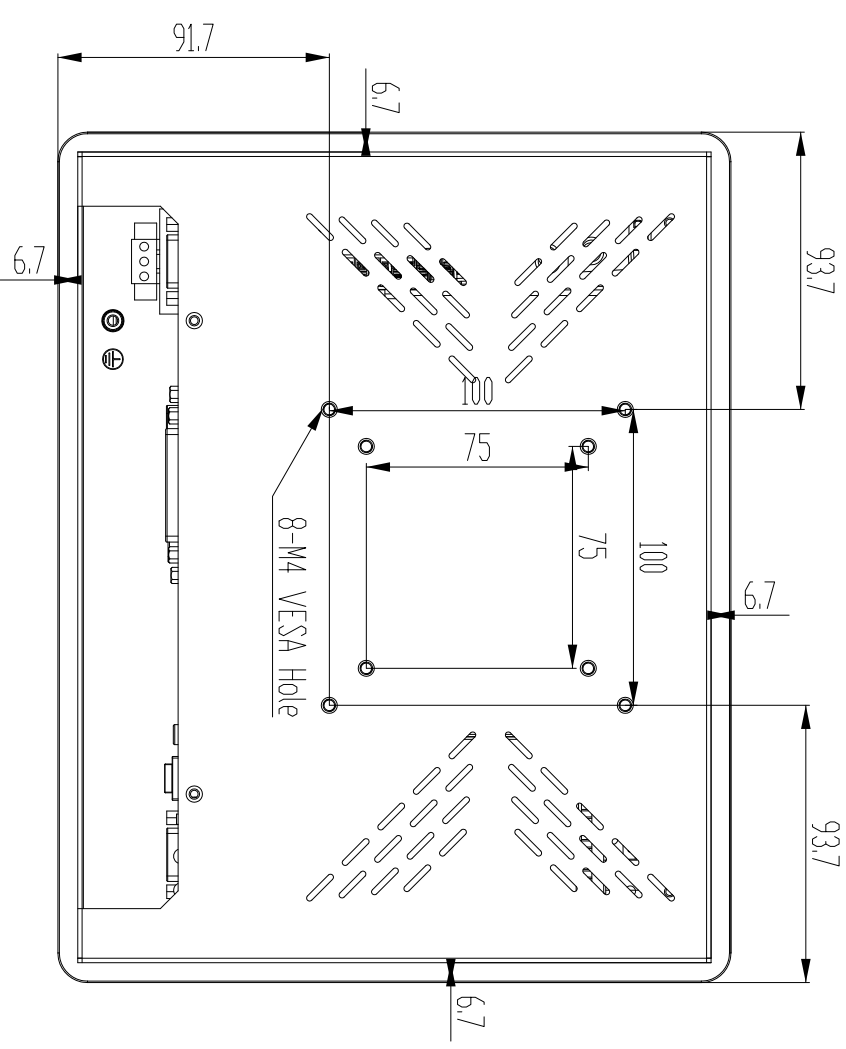
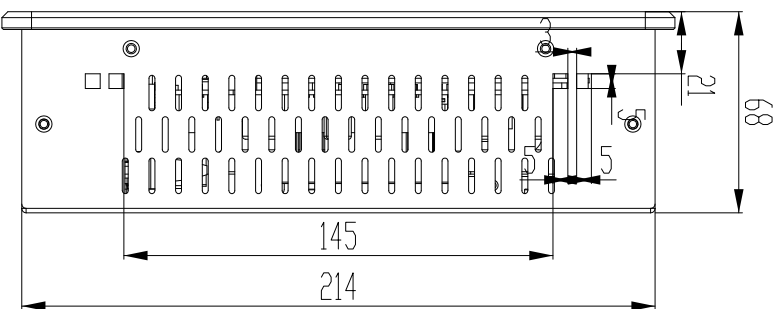
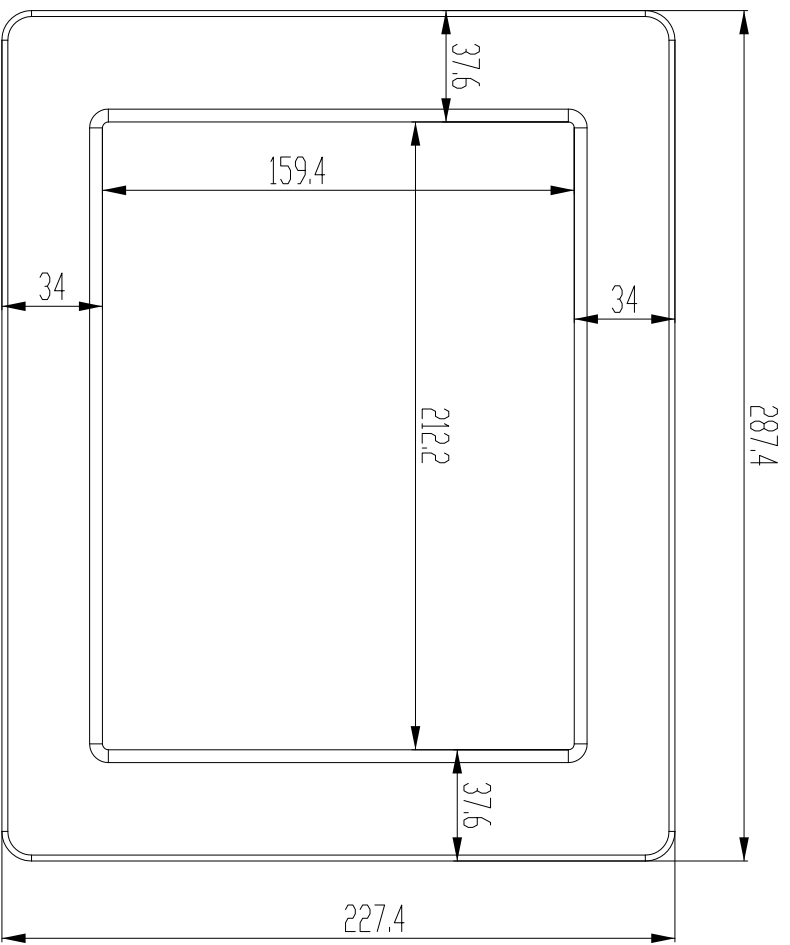
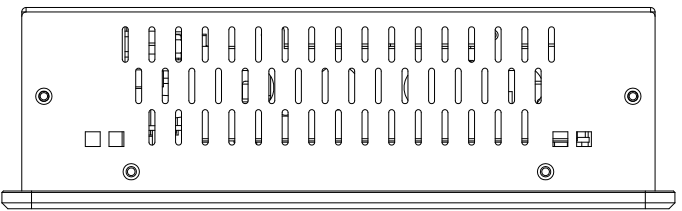
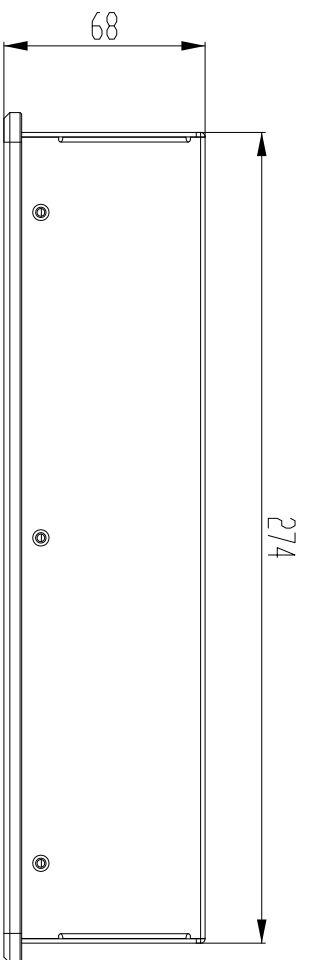


MARK	DATE	UPDATE DESCRIPTION	SIGN	APPROVER
△				



CUT OUT DIMENSION(276x216mm) UNIT:mm

\* Note: this is a simplified drawing and some components are not marked in detail.  
Please contact our sales representative if you need further product information.

**ANXIN**  
www.anxinpc.com

TDL	< 30	±0.1	UNIT : mm	CHECKED	DATE	PART NO.	Ver.
	< 120	±0.15	3RD ANGLE'S	DESIGNED	11-May-17	MOLD NO.	A0
	< 315	±0.2	DATE			IPC-10A	Qty
	ANGLE TDL :	±0.25				IPC-10A	1
		±0.5°				IPC-10A-303V.DWG	
						SIZE A3	SHEET: 1 OF 1