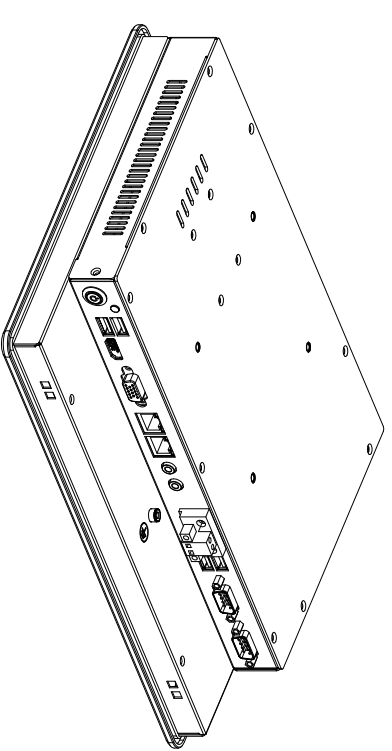
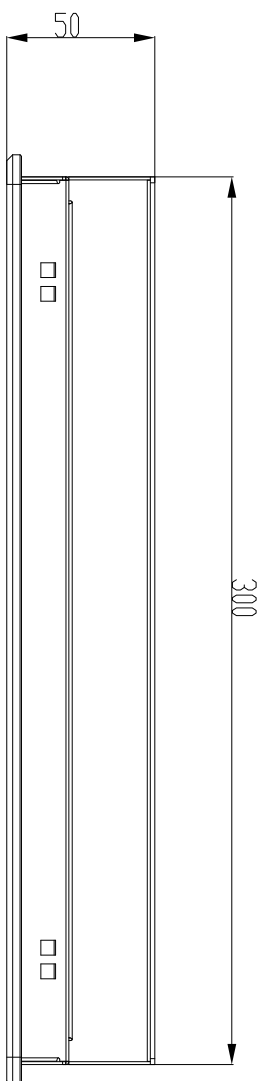
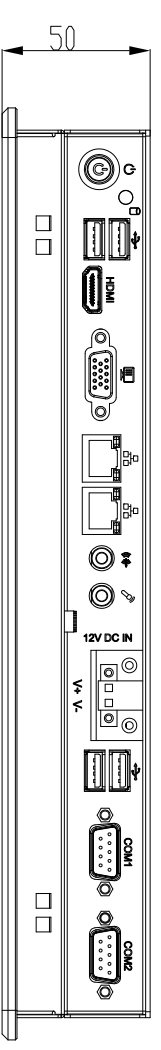
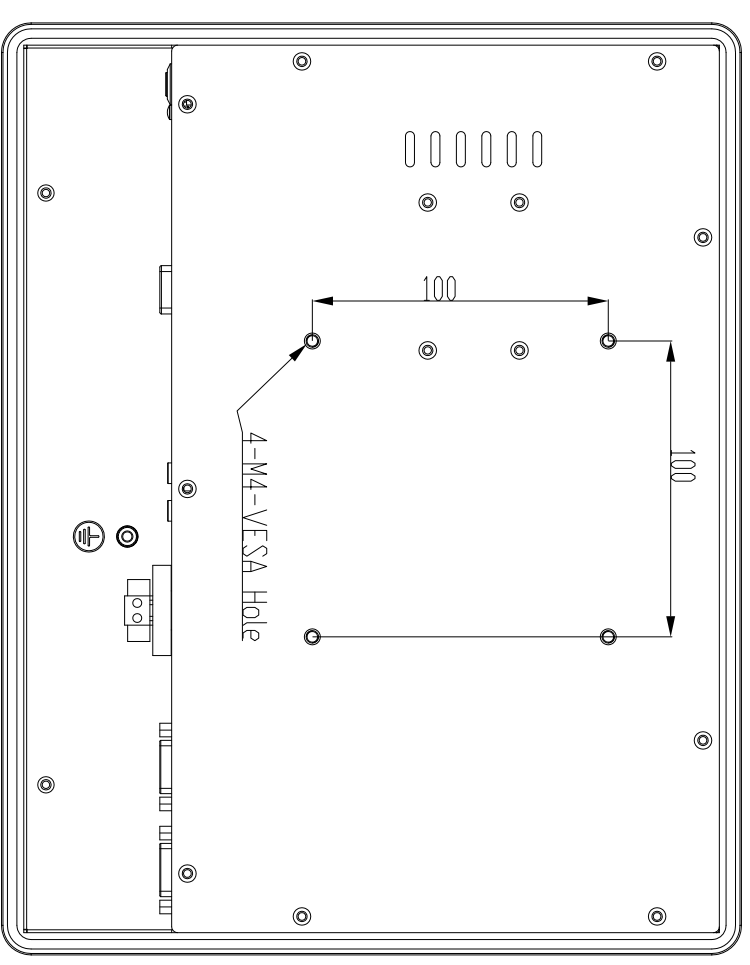
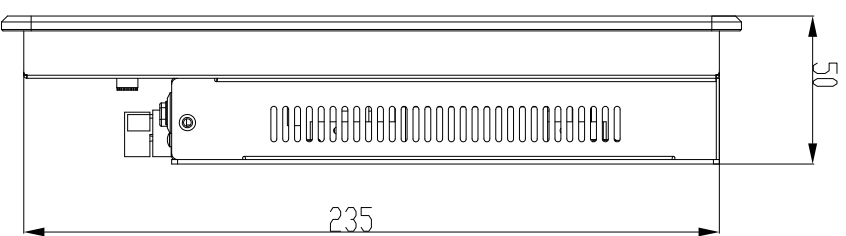
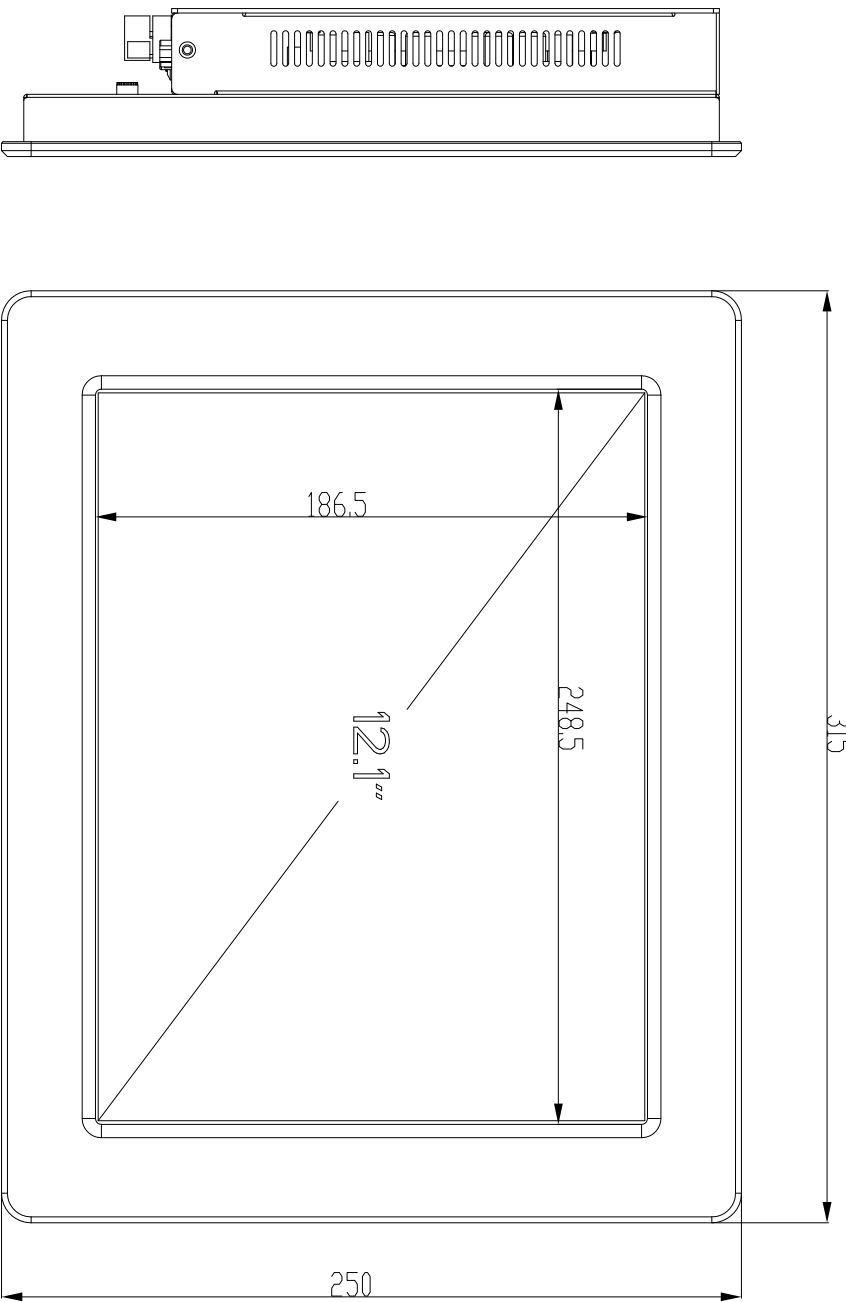


MARK	DATE	UPDATE DESCRIPTION	SIGN	APPROVER
△				



比例 0.25



CUT OUT DIMENSION(302×237mm) UNIT:mm

**ANXIN**  
www.anxinpc.com

TDL	< 30	±0.1	UNIT : mm	CHECKED		PART NO.	Ver.	A0	
	< 120	±0.15	3RD ANGLES	DESIGNED	Mar tin	MOLD NO.	IPC-12DF	Qty	1
	< 315	±0.2	DATE	18-Dec-17	DRAWING NO.	IPC-12DF-3D3V.DWG	SCALE	0.25	SHEET: 1 OF 1
	ANGLE TDL :	±0.25							