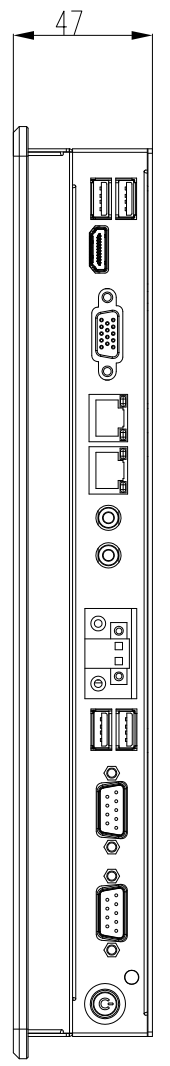
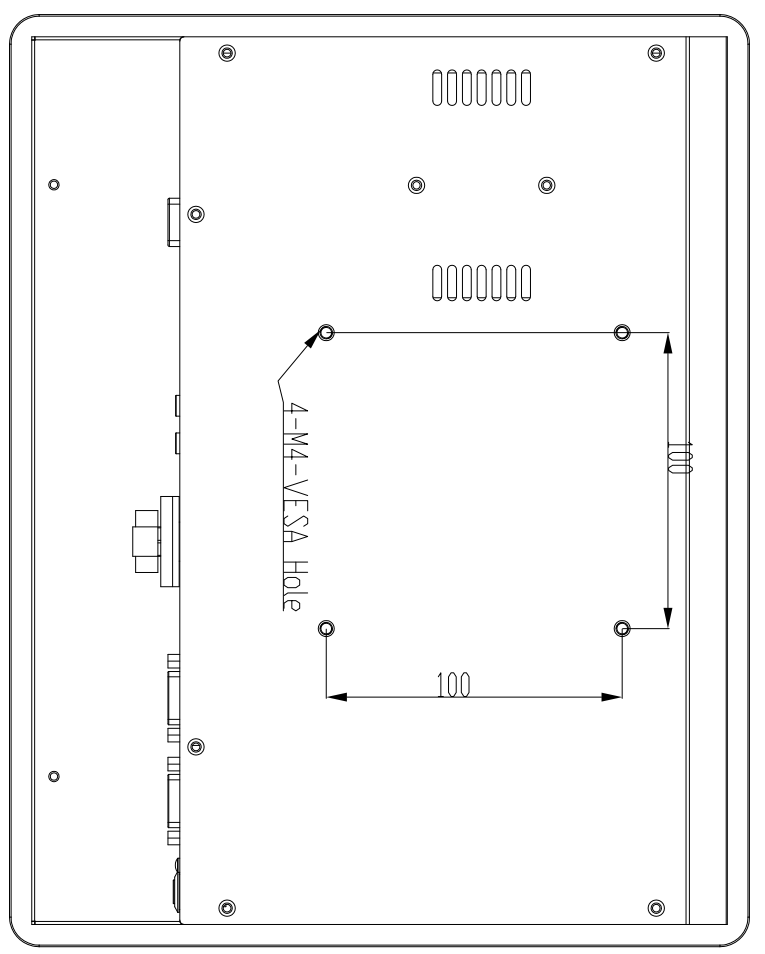
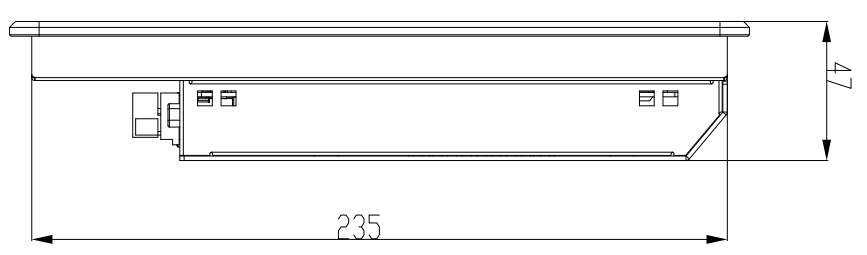
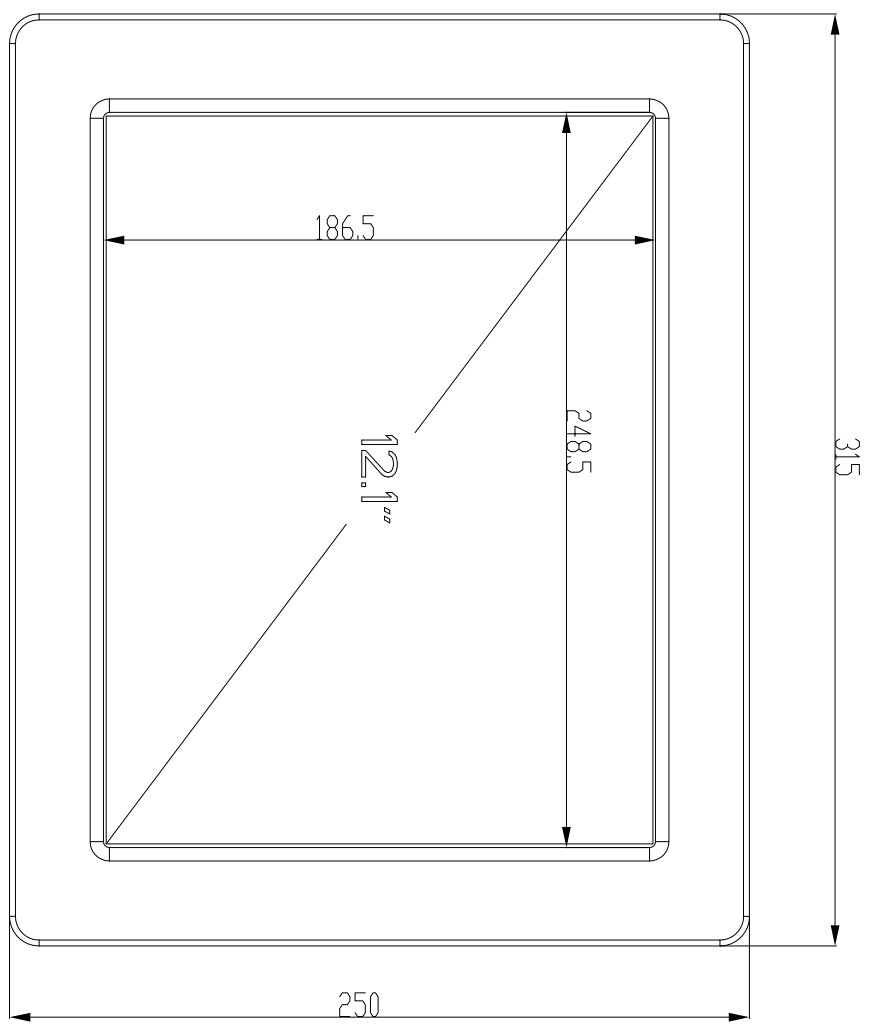
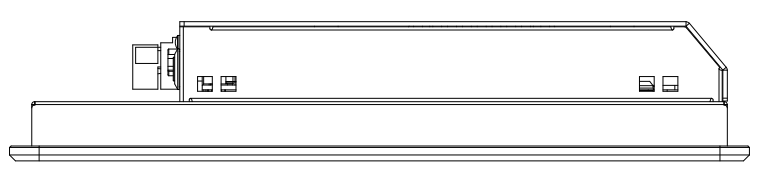
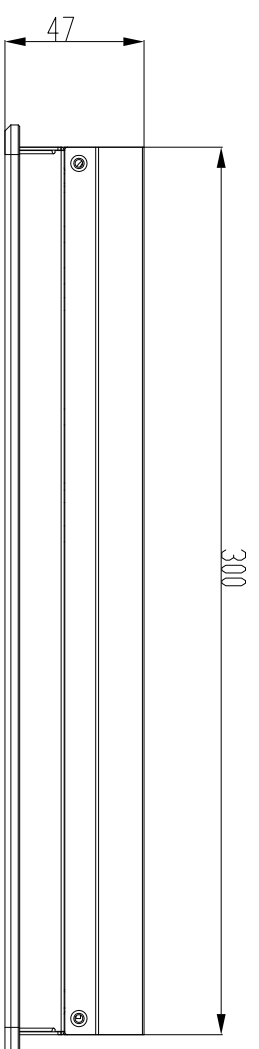


MARK	DATE	UPDATE DESCRIPTION	SIGN	APPROVER
△				



CUT OUT DIMENSION(302x237mm) UNIT:mm



TDL	< 30	: ±0.1	UNIT : mm	FINISHING		PART NO.	Ver.	A0	
	< 120	: ±0.15		MATERIAL		MOLD NO.	IPC-12JN	Qty	1
	< 315	: ±0.2	3RD ANGLES	CHECKED		TITLE	IPC-12JN-3D3V		
	< 315	: ±0.25	DATE	DESIGNED	Mar-tin	DRAWING NO.	IPC-12JN-3D3V.DWG		
	ANGLE TDL : ±0.5°				01-Mar-18	SIZE	A3	SCALE	0.25
						SHEET	1 OF 1		