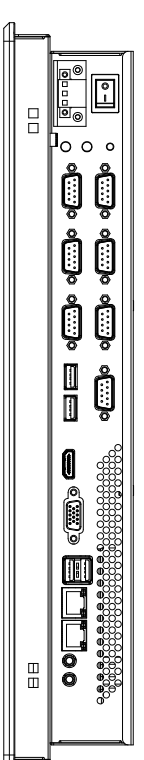
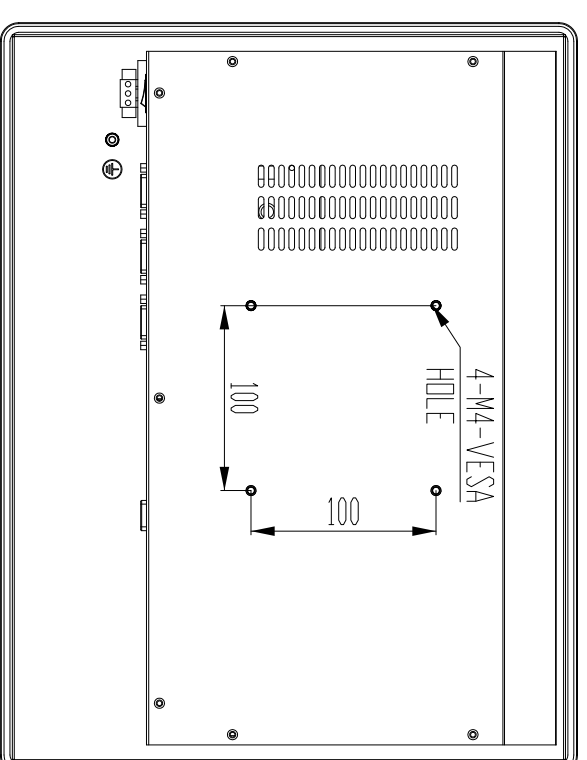
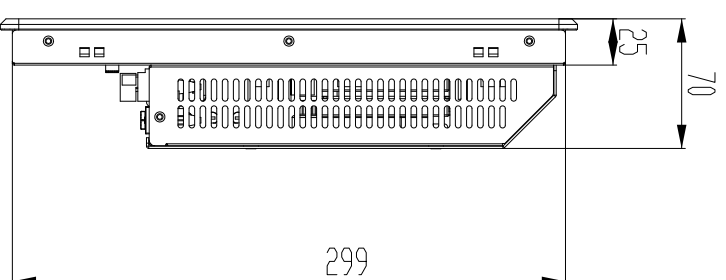
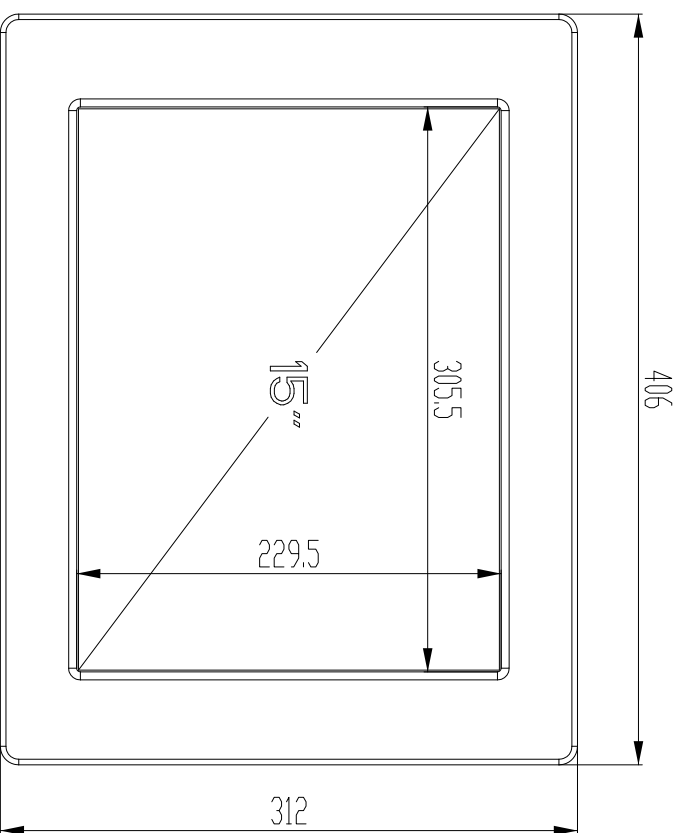
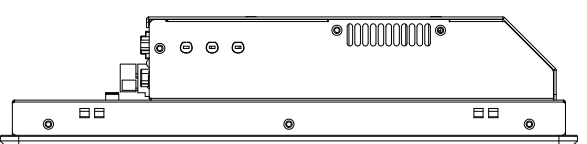
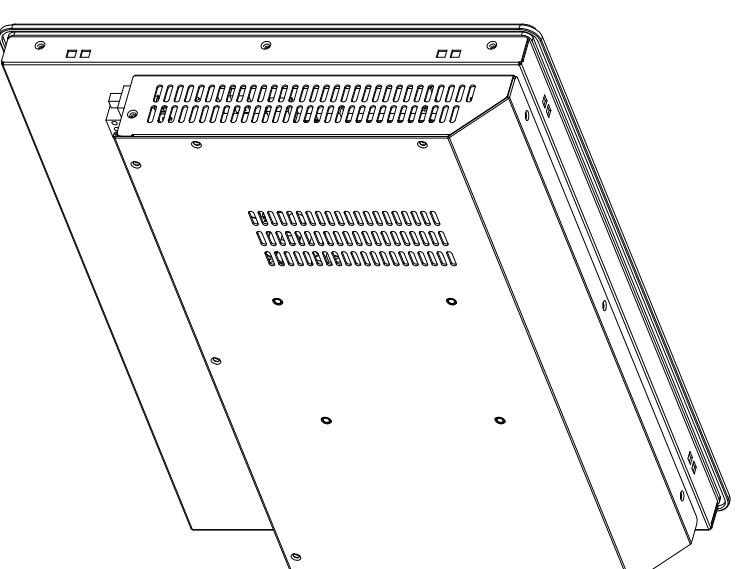
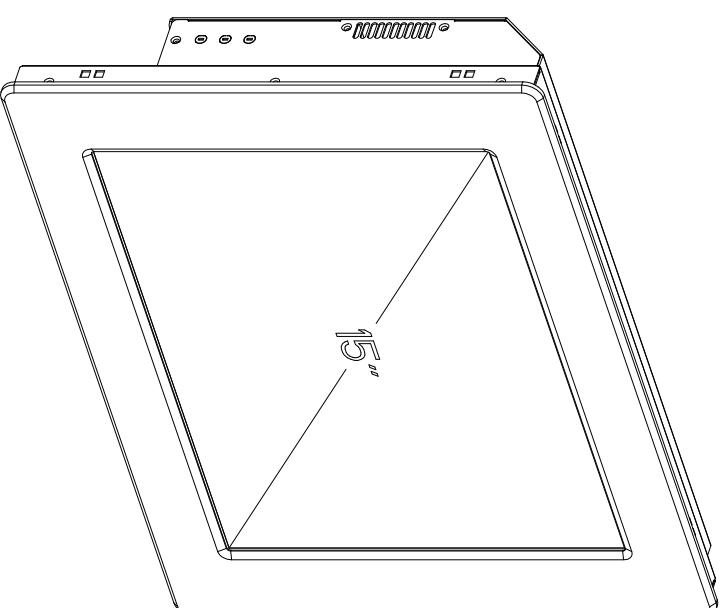
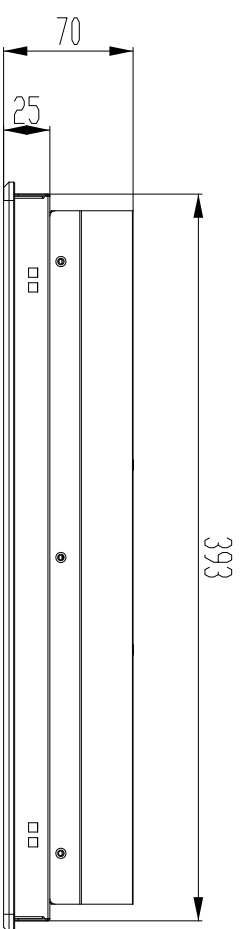


MARK	DATE	UPDATE DESCRIPTION	SIGN	APPROVER
△				



CUT OUT DIMENSION(395x301mm) UNIT:mm

* Note: this is a simplified drawing and some components are not marked in detail.
Please contact our sales representative if you need further product information.



TDL	< 30	: ±0.1	UNIT : mm	FINISHING	PART NO.	Ver.	A0
	< 120	: ±0.15		MATERIAL	MOLD NO.	IPC-1501A1	Qty
	< 315	: ±0.2	3RD ANGLES	APPROVED	TITLE	IPC-1501A1	
	ANGLE TDL : ±0.5°		DATE	CHECKED	DRAWING NO.	IPC-150A1.DWG	
				DESIGNED	SIZE	A3	
				DATE	SCALE	0.25	
				28-Dec-21	SHEET	1 OF 1	