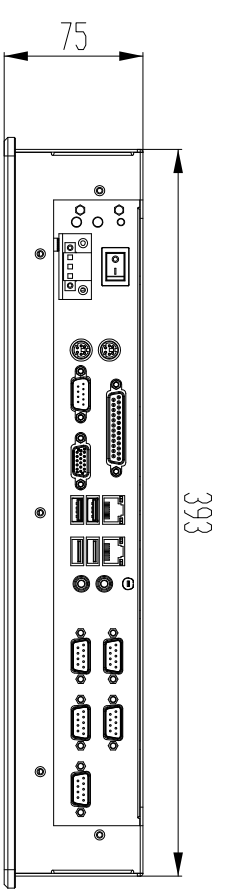
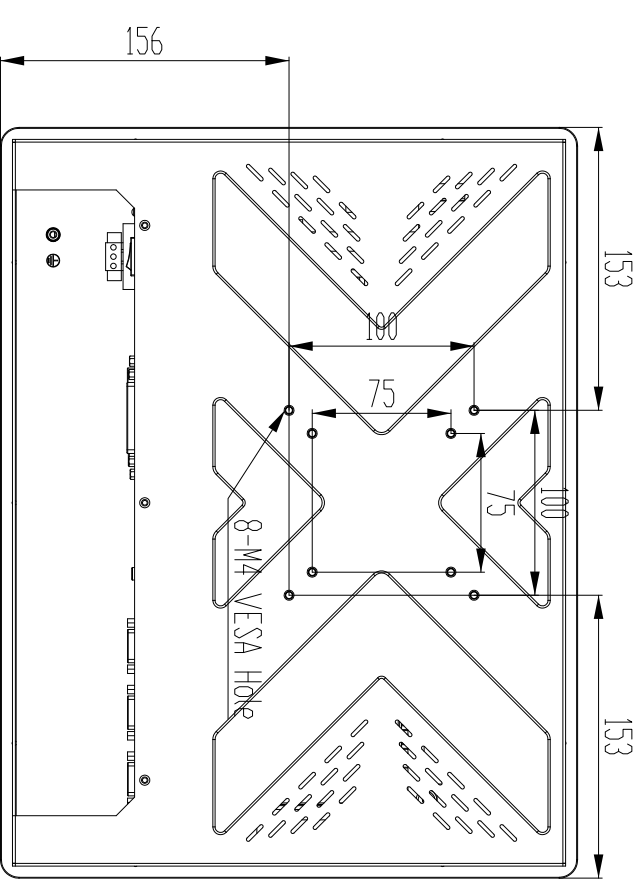
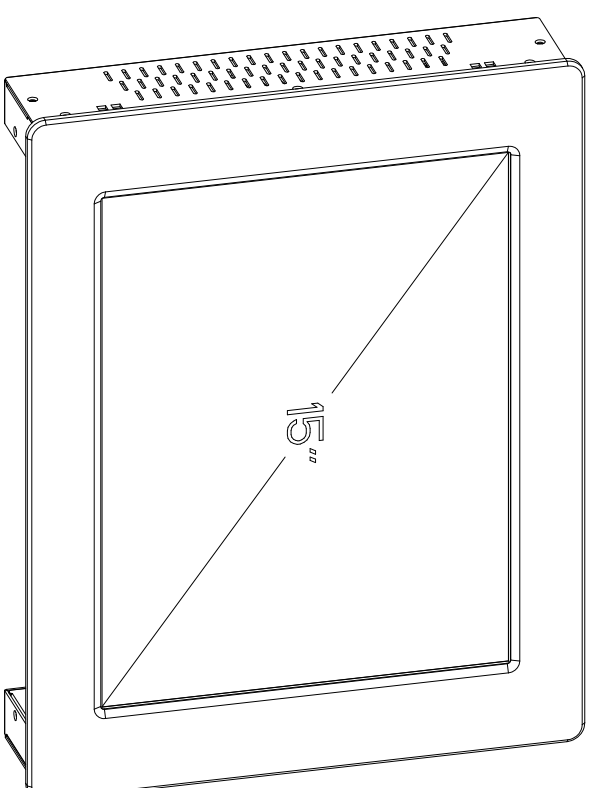
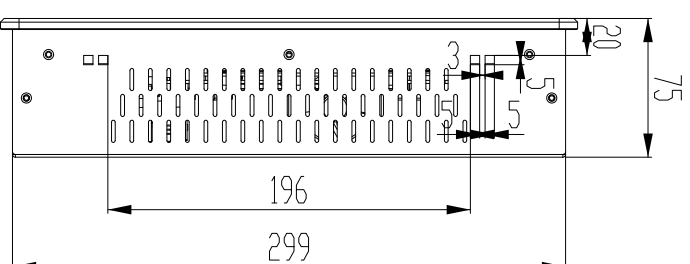
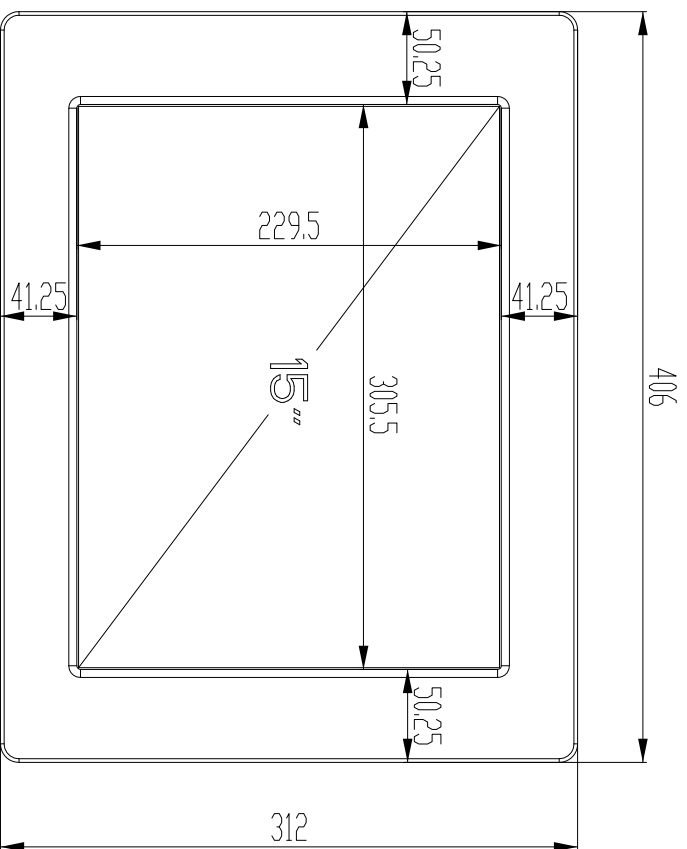
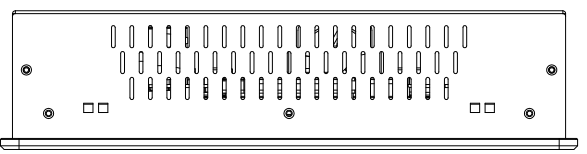
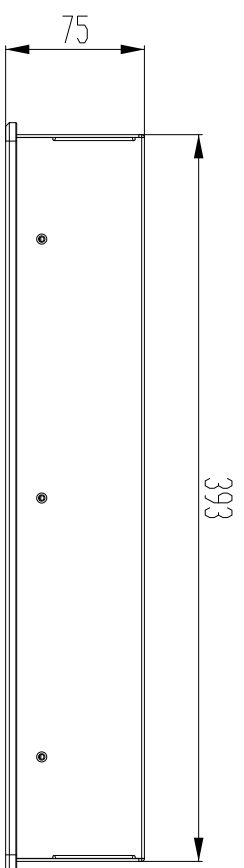


MARK	DATE	UPDATE DESCRIPTION	SIGN	APPROVER
△				



CUT OUT DIMENSION (395×301mm) UNIT:mm

* Note: this is a simplified drawing and some components are not marked in detail.
Please contact our sales representative if you need further product information.



TDL	< 30	±0.1	UNIT : mm	FINISHING	PART NO.	Ver.	A0	
	< 120	±0.15		MATERIAL	MOLD NO.	IPC-15A	Qty	1
	< 315	±0.2	3RD ANGLE'S	APPROVED	TITLE	IPC-15A		
ANGLE TDL :	±0.25	±0.5°	DATE	DESIGNED	DRAWING NO.	IPC-15A-3D3V.DWG		
			21-May-17	Mar tin	SIZE	A3	SCALE	0.25
					SHEET:	1 OF 1		