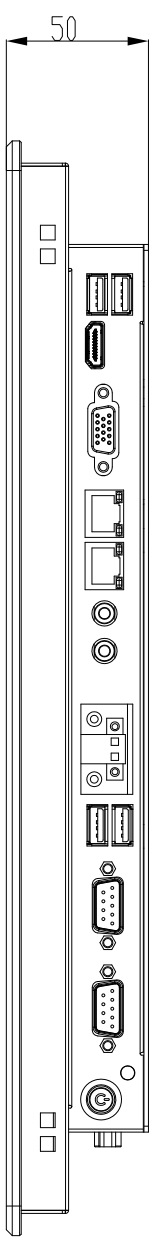
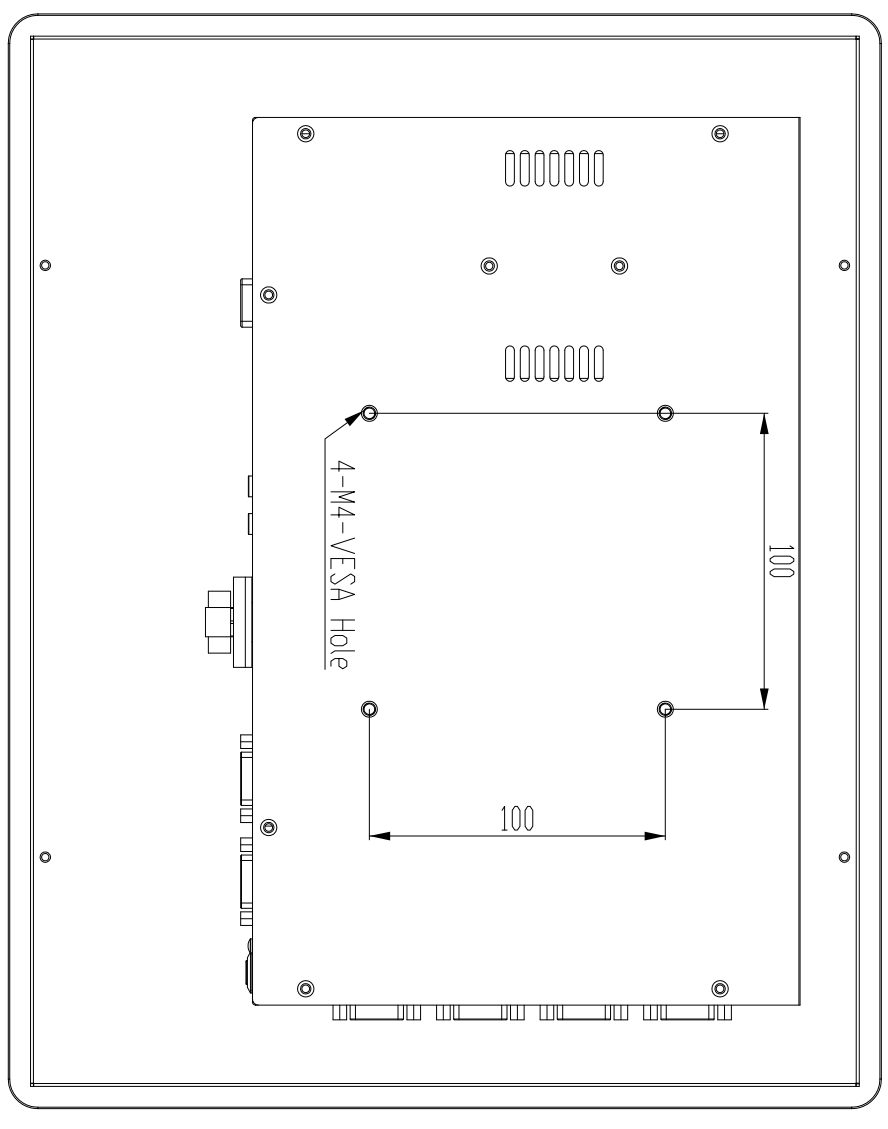
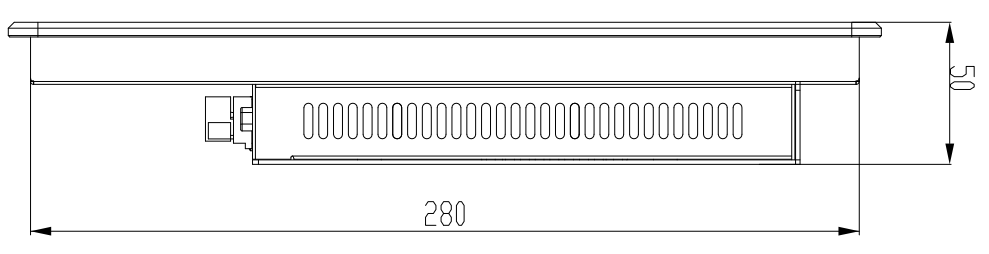
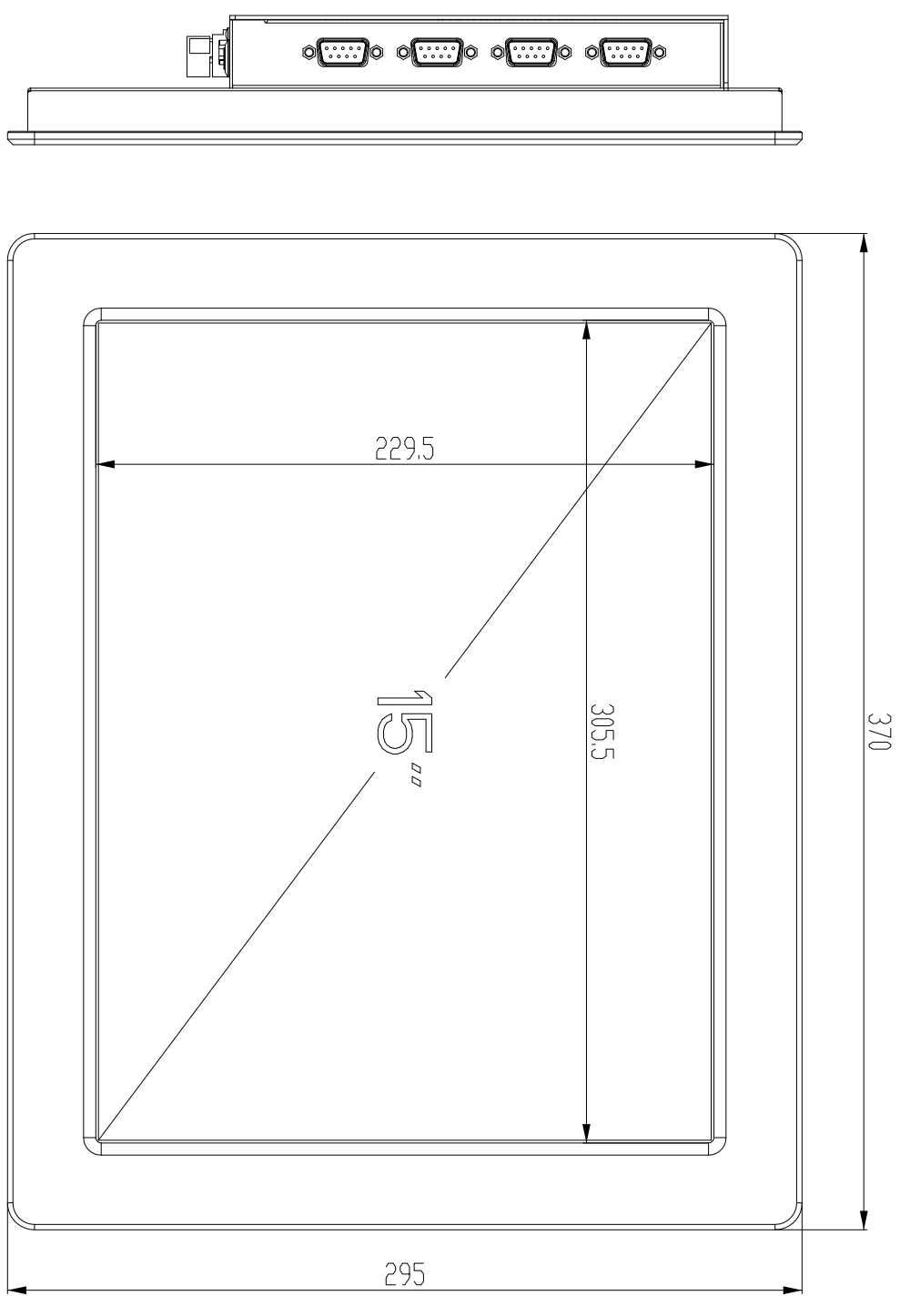
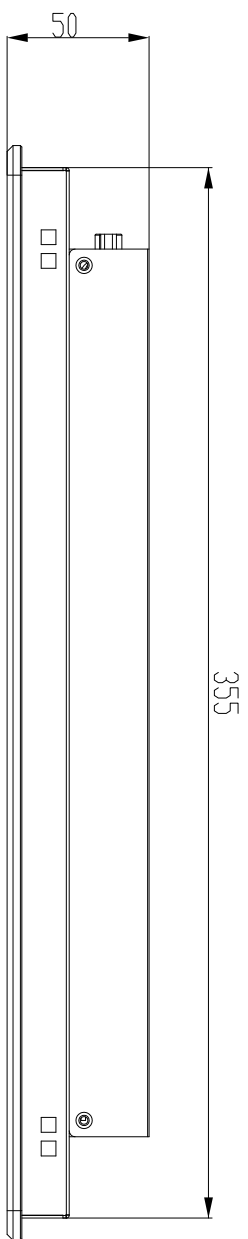


MARK	DATE	UPDATE DESCRIPTION	SIGN	APPROVER
△				



CUT OUT DIMENSION(357x282mm) UNIT:mm



TDL	< 30	±0.1	UNIT : mm	FINISHING	PART NO.	Ver.	A0
	< 120	±0.15		MATERIAL	MOLD NO.	IPC-15DF	Qty
	< 315	±0.2	3RD ANGLE'S	CHECKED	TITLE	IPC-15DF-3D3V	
	ANGLE TDL :	±0.25	DATE	DESIGNED	DRAWING NO.	IPC-15DF-3D3V.DWG	
		±0.5°		DATE	SIZE	A3	SCALE
				18-Dec-17	SCALE	0.25	SHEET: 1 OF 1

