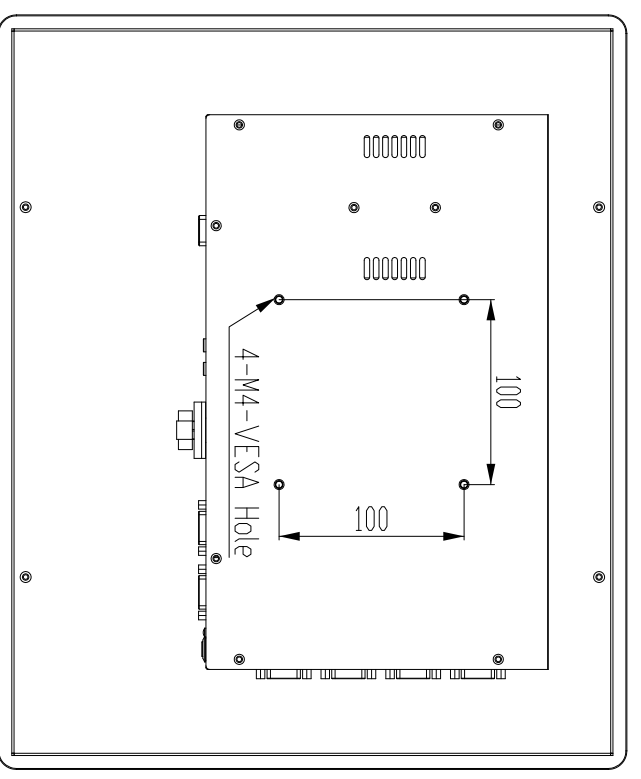
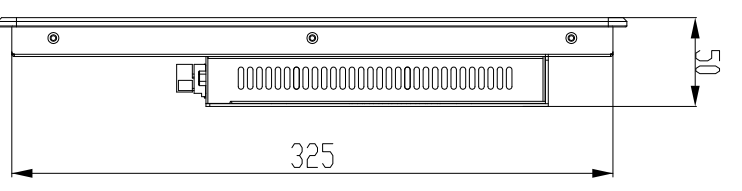
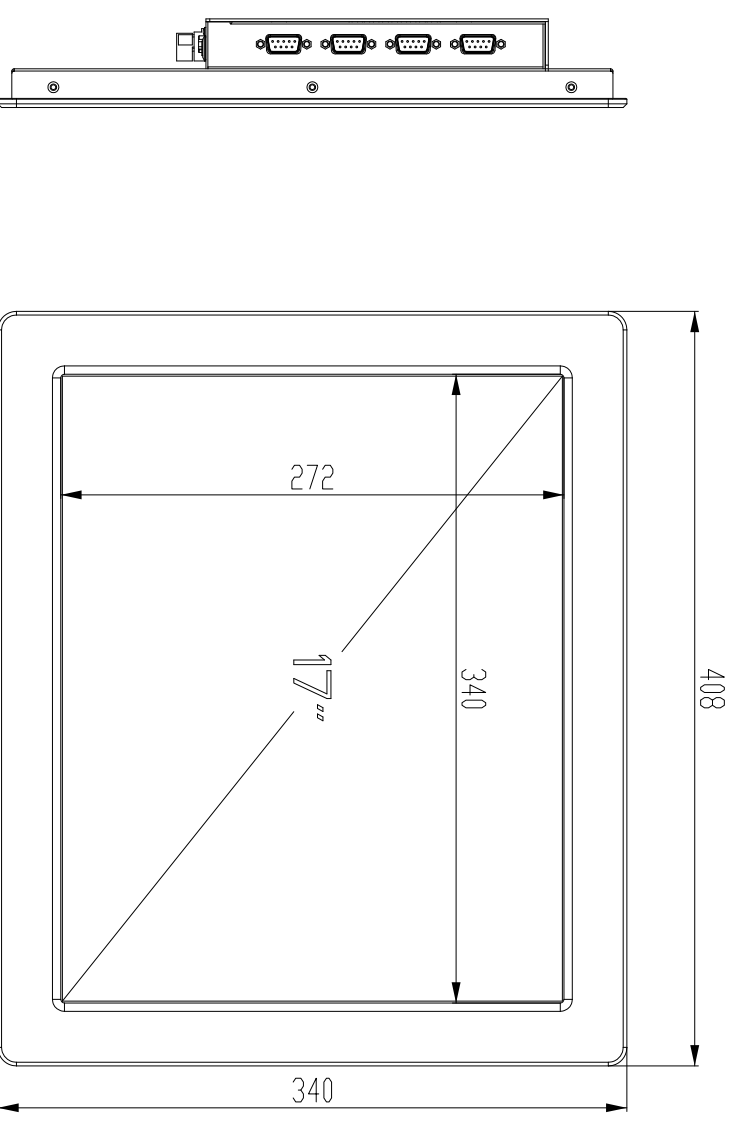
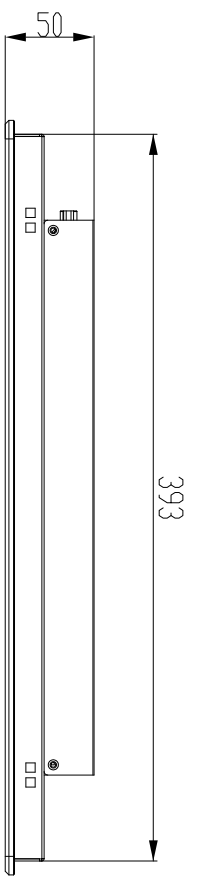
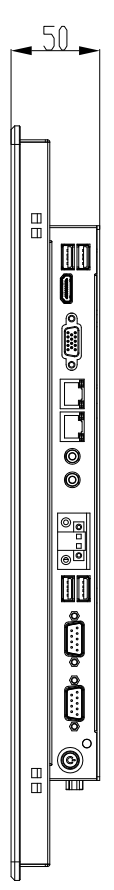


MARK	DATE	UPDATE DESCRIPTION	SIGN	APPROVER
△				



CUT OUT DIMENSION(395x327mm) UNIT:mm



TDL	30 <	30 :	±0.1	UNIT : mm	FINISHING	PART NO.	Ver.	A0	
	120 <	120 :	±0.15		CHECKED				
ANGLE TDL :	315 <	315 :	±0.2	3RD ANGLES	MATERIAL	MOLD NO.	IPC-17DF	Qty	1
	ANGLE TDL :	ANGLE TDL :	±0.25		DESIGNED				
	DATE	DATE	18-Dec-17	APPROVED					
	SIZE	DRAWING NO.	IPC-17DF-3D3V.DWG						
	A3	SCALE	0.25	TITLE					
	SHEET	SHEET	1 OF 1						

