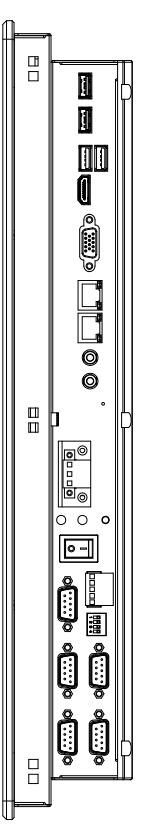
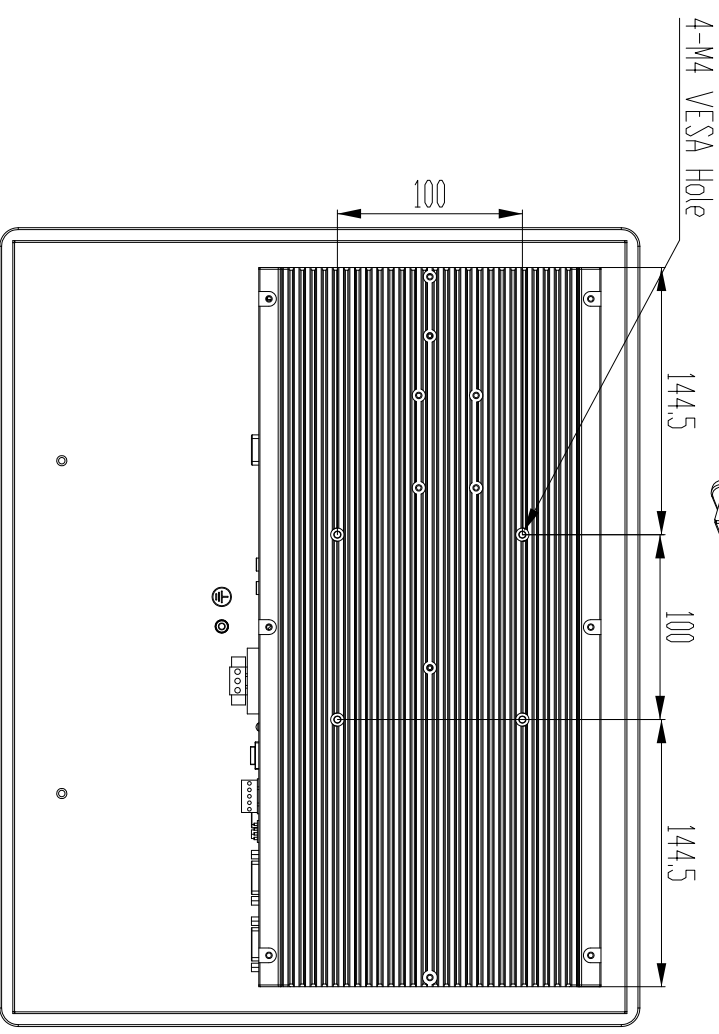
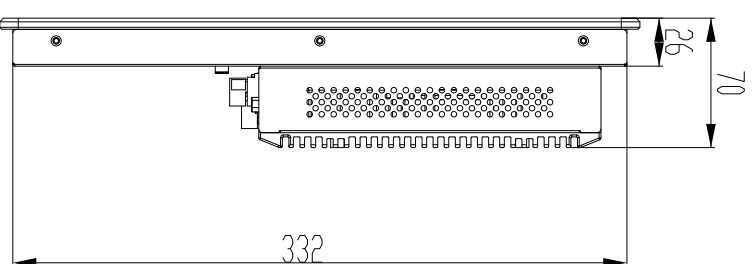
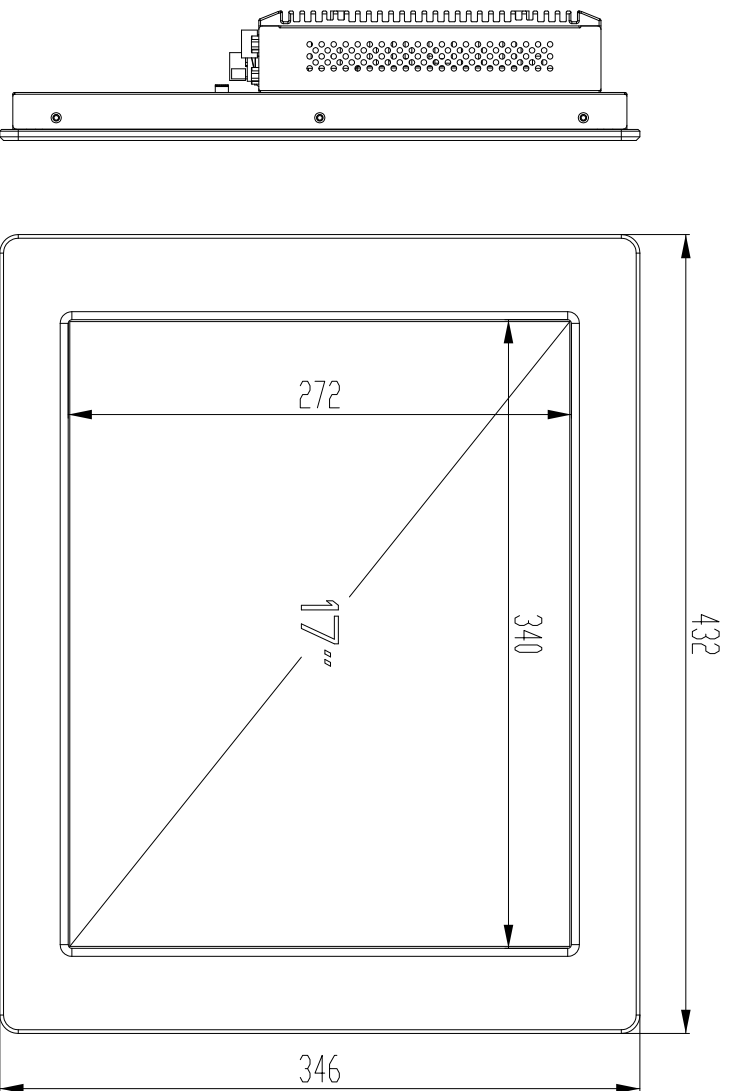
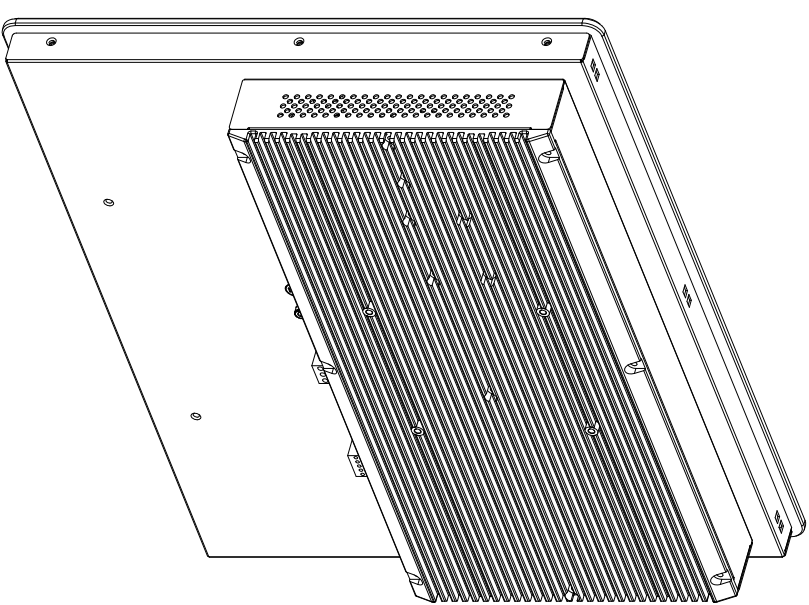
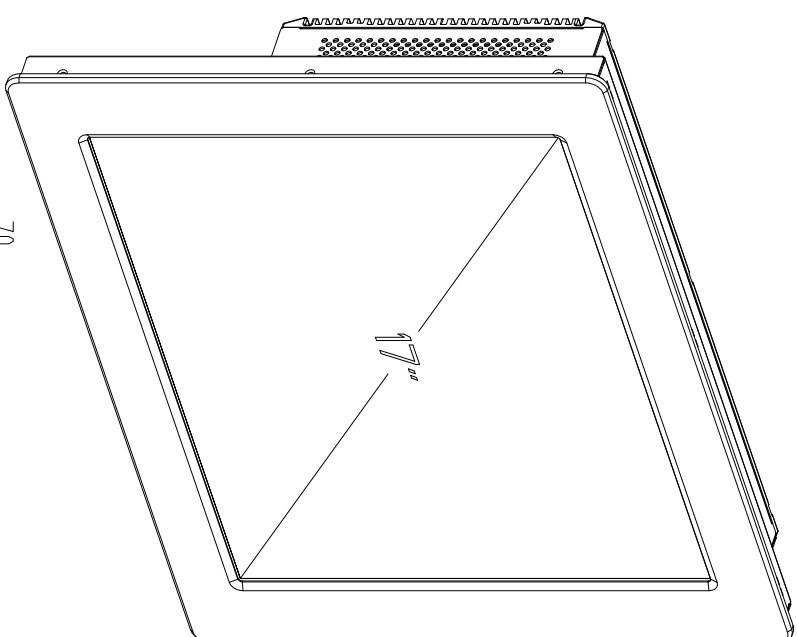
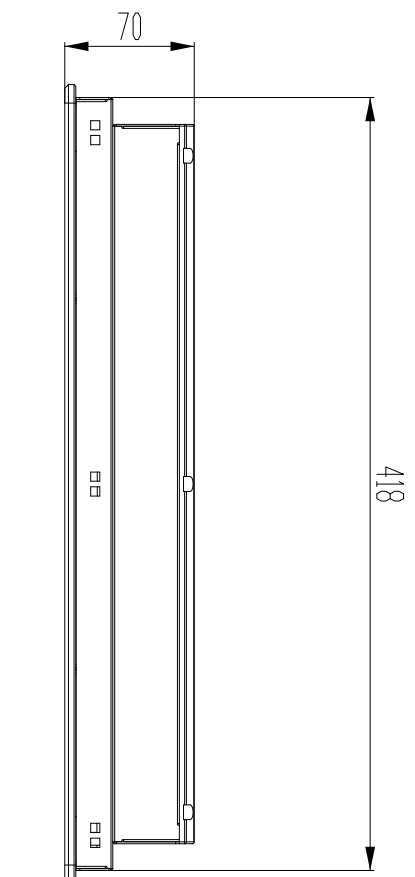


MARK	DATE	UPDATE DESCRIPTION	SIGN	APPROVER
△				



CUT OUT DIMENSION(420×334mm) UNIT:mm

* Note: this is a simplified drawing and some components are not marked in detail.
Please contact our sales representative if you need further product information.



TDL	< 30	: ±0.1	UNIT : mm	CHECKED	DATE	PART NO.	MOLD NO.	IPC-17PF	Ver.	A0
	< 120	: ±0.15								
	< 315	: ±0.2	3RD ANGLE'S	DESIGNED	28-Mar-16	DRAWING NO.	IPC-17PF-3D3V.DWG	SCALE	0.25	SHEET: 1 OF 1
	ANGLE TDL :	±0.25	±0.5°							

