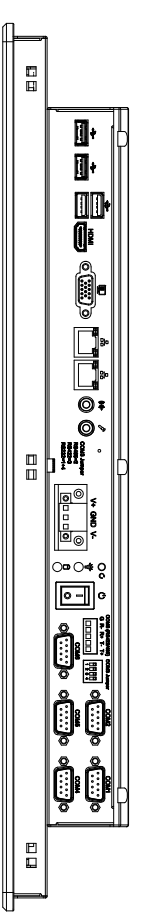
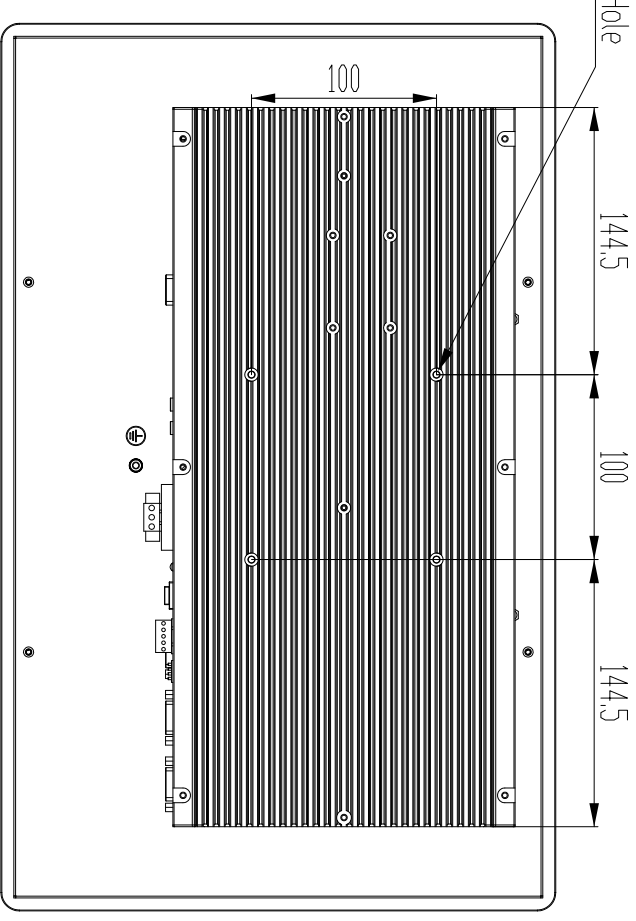
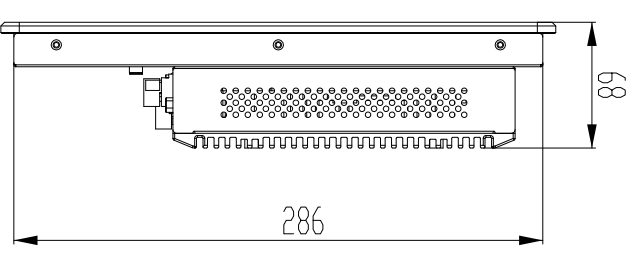
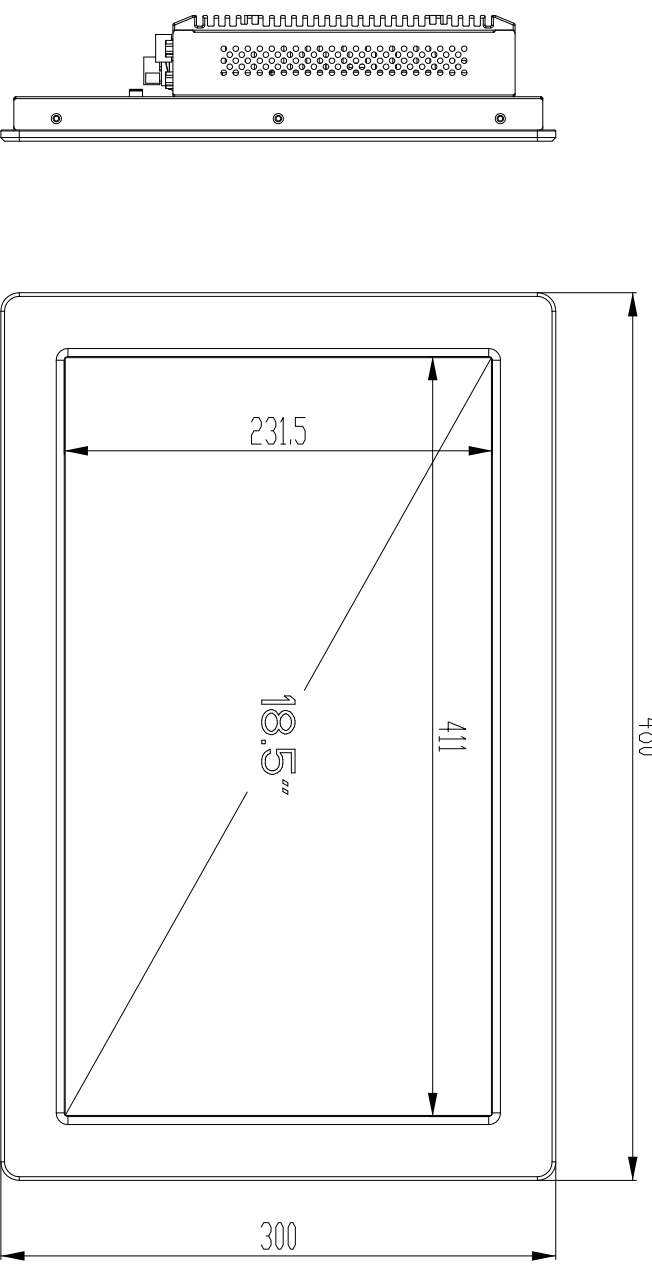
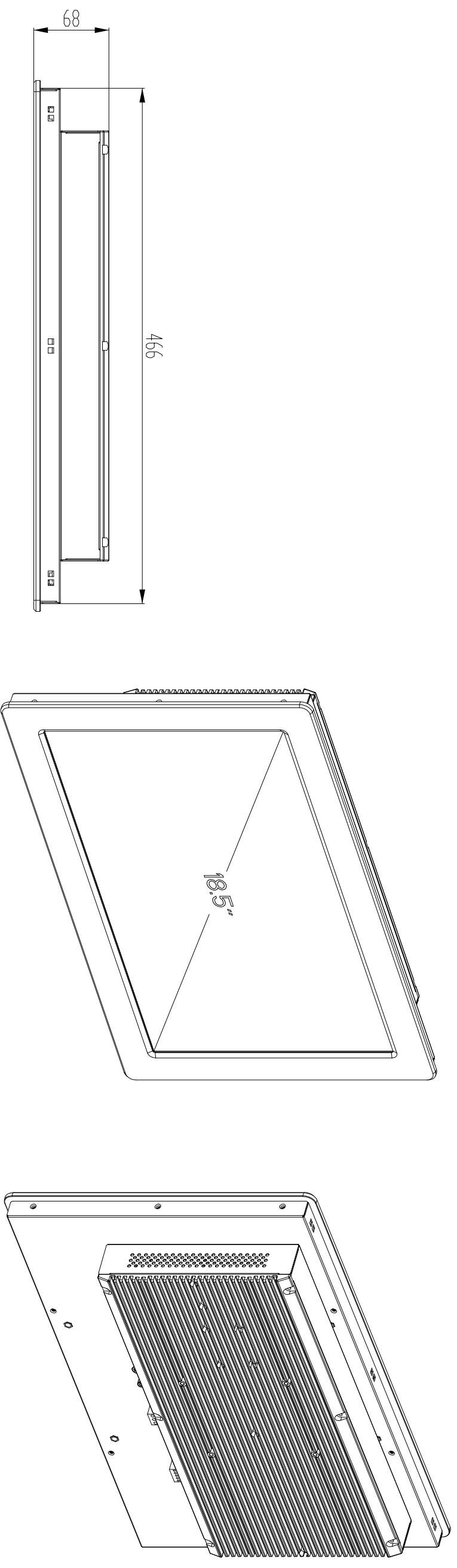


MARK	DATE	UPDATE DESCRIPTION	SIGN	APPROVER
△				



CUT OUT DIMENSION(468x288mm) UNIT:mm

* Note: this is a simplified drawing and some components are not marked in detail.
Please contact our sales representative if you need further product information.



TDL	30	±0.1	UNIT : mm	FINISHING	PART NO.	Ver.	A0
	120	±0.15		MATERIAL	MOLD NO.	IPC-18PF	Qty
315	±0.2	3RD ANGLE'S	CHECKED	APPROVED	TITLE	IPC-18PF-3D3V	
ANGLE TDL	±0.25	DATE	DESIGNED	DATE	DRAWING NO.	IPC-18PF-3D3V.DWG	
	±0.5°	26-Feb-16	Mar-tin		SIZE	A3	
					SCALE	0.25	
					SHEET	1 OF 1	