

# IPC-1901AI

Industrial 19" Panel PC, Intel Core i7/i5/i3, Touch Screen



## Specifications

System	
Processor	Intel® Core 6/7/8/9th i7/i5/i3, Celeron® LGA1151 socket CPU
Chipset	Intel H310C chipset
Memory	2x DDR4 RAM slots(MAX 32G)
Graphic	Intel HD chipset
Storage	1x 2.5" SATA SSD/HDD; 1x M.2 Slot
Ethernet	2 x 10/100/1000 LAN ports
Vedio	1xHDMI & 1 x VGA
Audio	1x Mic-in, 1x Line-out
USB Port	2x USB2.0, 2x USB3.0
Serial Port	6x COM (5* RS232, 1*RS422/485)
Power switch	1x Power Switch
Expansion Slot	1x Mini PCIe
Power supply	1x 3Pin DC power input terminal block
OS support	Windows 11/10/8/7, Linux
Construction	Front aluminum bezel and steel chassis
LCD Panel	
Display Type	19" XGA TFT LCD LED Backlight
Resolution	1280 x 1024pixels
Max.color	16.7M
Luminance	350 cd/m2
View Angle	170°(H), 160°(V)

## Features

- 19" LCD panel 1280\*1024 & resistive touch screen
- 6mm Aluminum panel with front IP65 compliant
- Supports Intel Gen. 6/7/8/9th Core i3/i5/i, Celeron LGA1151 socket CPU
- 2x DIMM DDR4 2400/2133 SDRAM, MAX support 32GB
- 1x 2.5" SATA SSD/HDD, 1x M.2 Slot support M.2 2260/2280 PCIE standard SSD
- 6 COM(5\* RS232, 1\*RS422/485), 1xHDMI, 1xVGA, 4xUSB, 2xLAN, 1xAUDIO and MIC
- 1x Mini PCIe expansion slot
- 100~240V AC Power adapter input D-12V (Optional DC 9-36V input)
- Panel ( Flush ) mount with clips
- Standard VESA 100mm holes support stand, wall mount and swing arm

Pixel Pitch	0.294 x 0.294 mm
Contrast Ratio	1000:1
Response Time	5 ms
LCD MTBF	50, 000hrs

## Available Options

Touch screen	Resistive type touch screen
Wireless LAN	Meet IEEE802.11b/g standard
CPU	Intel Core i3-3240 / i5-3470 / i7-3770 Processors or Other LGA1155 socket CPU

## Mechanical and Environmental

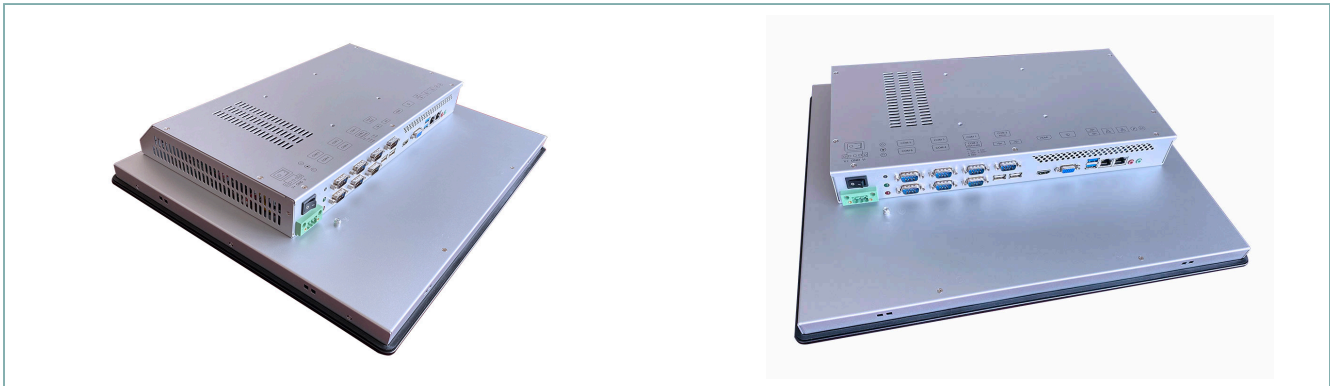
IP Level	Front panel IP65-rated
Dimensions (WxHxD)	456 x 371 x 70mm
Weight	Net: 8 kg, Gross: 9.5 kg
Operating temperature	-10°C~ 60°C (-14~140°F)
Storage temperature	-20°C ~ 70°C (-4 ~ 158°F)
Storage humidity	5% to 95% @40°C non-condensing
Anti-Vibration	17HZ-500 HZ 1G PTP
Anti-Shock	1G / peak( 11m sec)

## Power Supply

Input	100~240VAC, 50/60Hz, external ac adapter
Output	DC 12V, Output Rating 120W
DC Power Input (Optional)	Wide Range 9~36v DC input

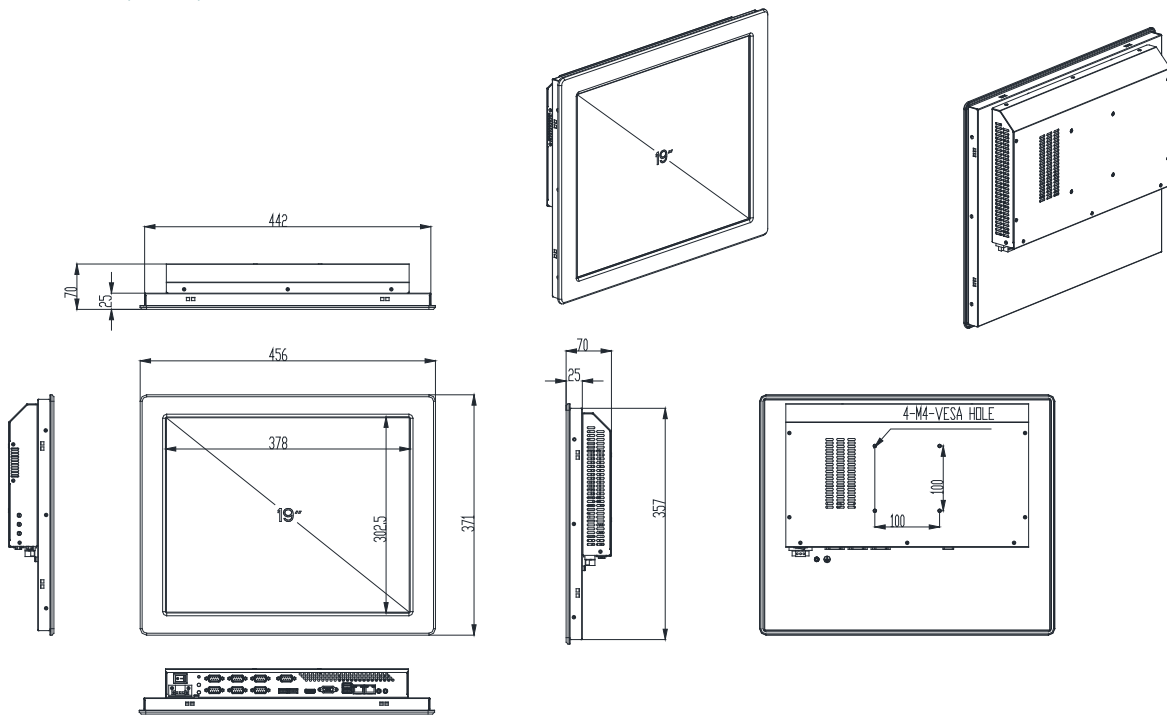
# IPC-1901AI

## Pictures & Views



## Dimensions Diagram

Dimensions (WxHxD): 456 x 371 x 70 mm



## Ordering information

Model	Descriptions
IPC-1901AI	Industrial 19" panel PC, with i7-6700 (4G) Processor, With Resistive Touch screen, with DDR4 RAM, 2.5 " SSD/HDD or M.2 SSD, 12V/120W external AC adapter
IPC-1902AI	Industrial 19" panel PC, with i5-6500 (3.2G) Processor, With Resistive Touch screen, with DDR4 RAM, 2.5 " SSD/HDD or M.2 SSD, 12V/120W external AC adapter
IPC-1903AI	Industrial 19" panel PC, with i3-6100 (3.7G) Processor, With Resistive Touch screen, with DDR4 RAM, 2.5 " SSD/HDD or M.2 SSD, 12V/120W external AC adapter