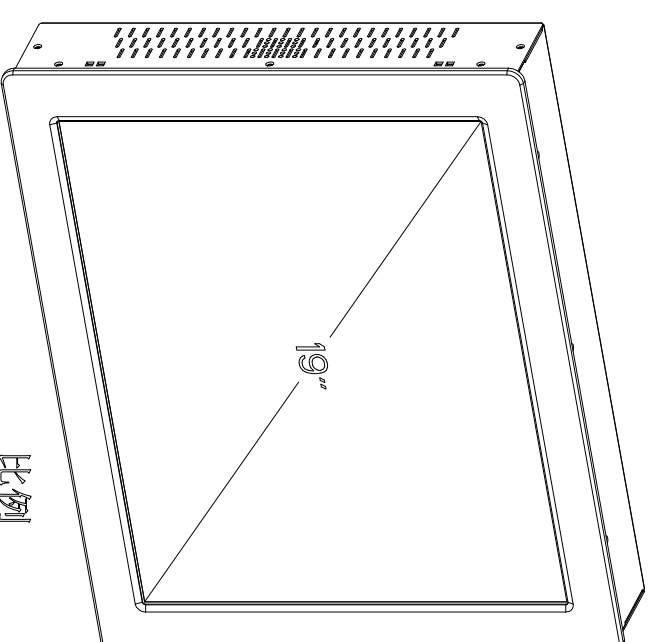
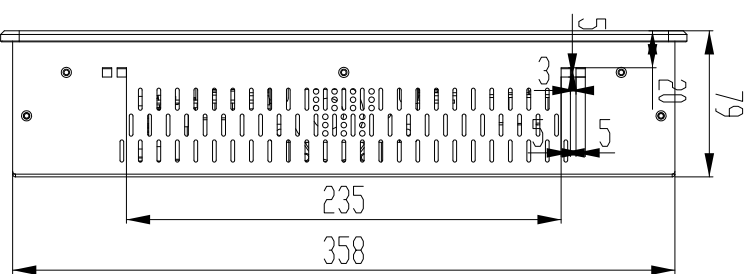
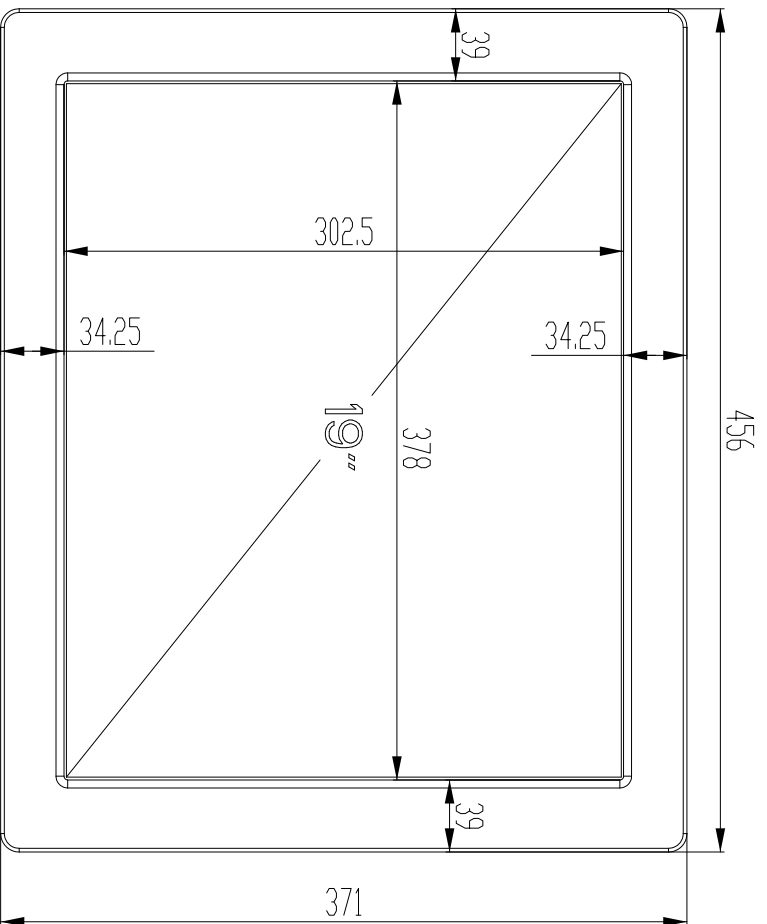
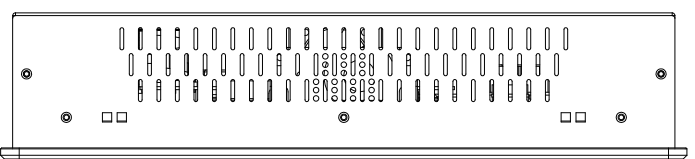
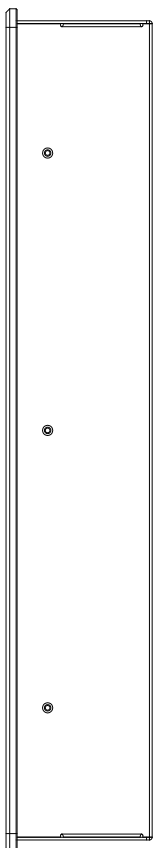
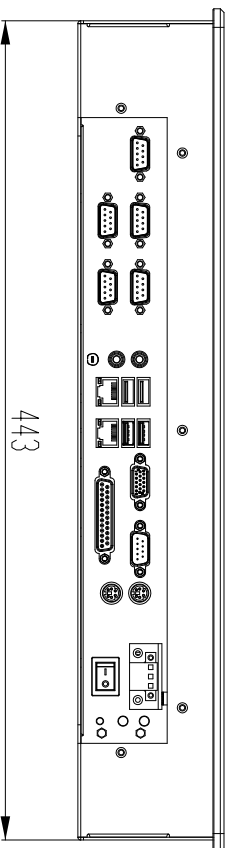
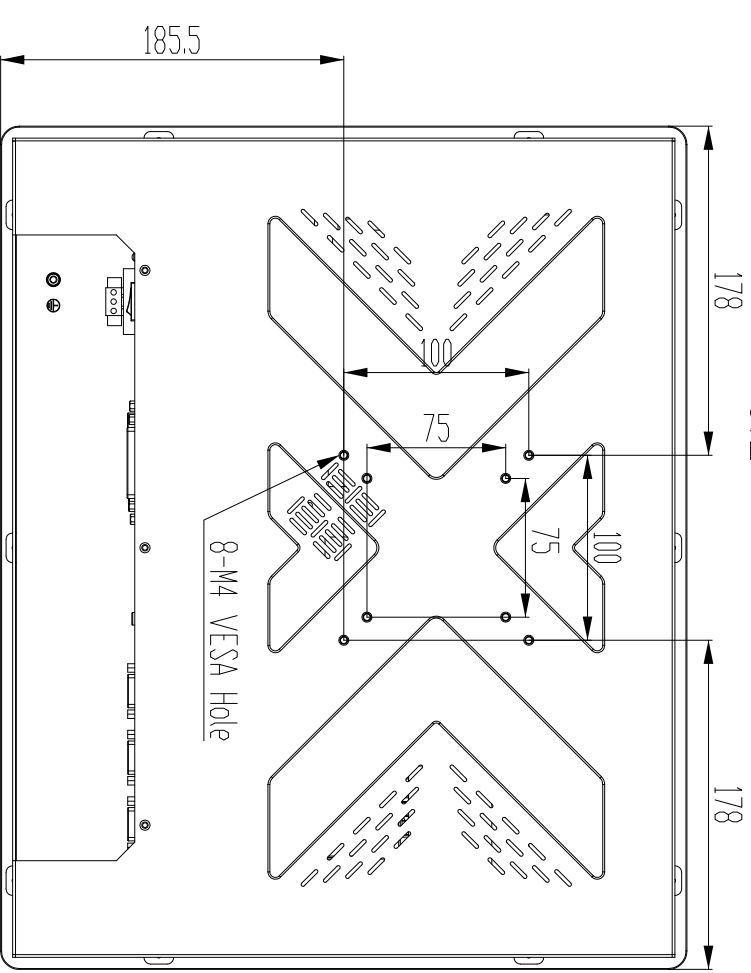


MARK △	DATE	UPDATE DESCRIPTION	SIGN	APPROVER
-----------	------	--------------------	------	----------



比例 0.2



www.anxinpc.com

FINISHING	PART NO.	Ver.	A0
MATERIAL	MOLD NO.	IPC-19A	Qty 1
APPROVED	TITLE	IPC-19A-Dimensions	

CUT OUT DIMENSION (445mmX360mm) UNIT:mm

\* Note: this is a simplified drawing and some components are not marked in detail. Please contact our sales representative if you need further product information.

TOL	< 30 : ±0.1	UNIT : mm	CHECKED	DATE	19-Aug-17	DRAWING NO.	IPC-19A-3D3V.DWG	SHEET:	1 OF 1
	< 120 : ±0.15	3RD ANGLES	DESIGNED	DATE	19-Aug-17	SIZE	A3	SCALE	0.25
	< 315 : ±0.2	ANGLE TOL	DATE	19-Aug-17	SIZE	A3	SCALE	0.25	SHEET:
	< 315 : ±0.25								