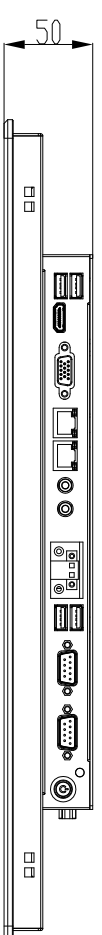
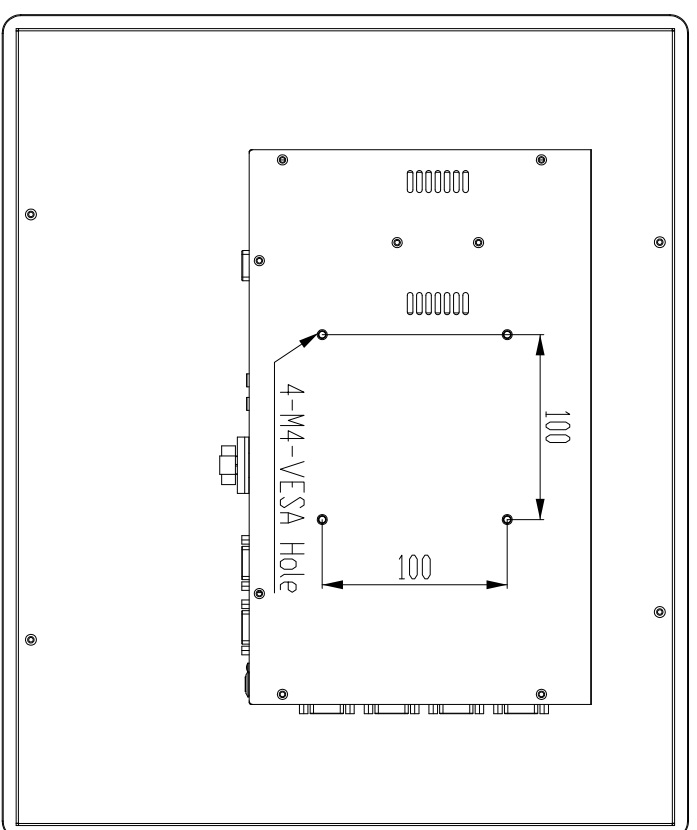
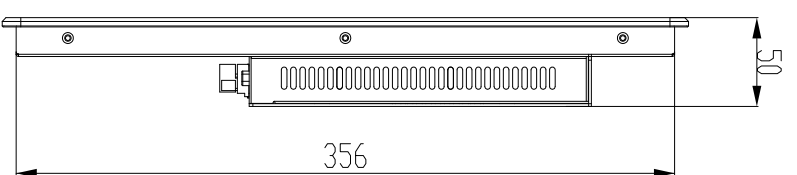
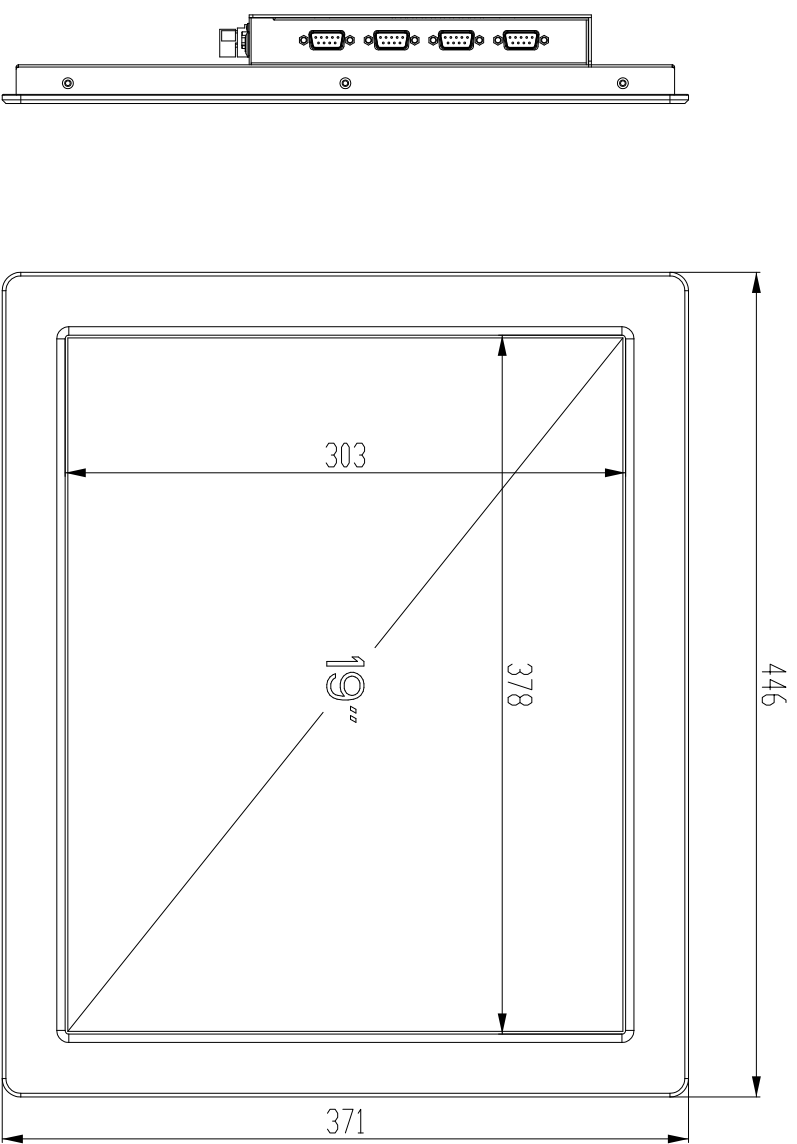
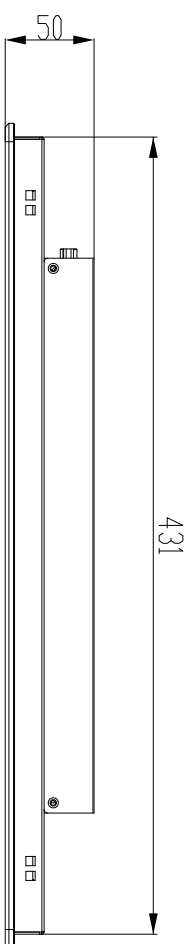


MARK	DATE	UPDATE DESCRIPTION	SIGN	APPROVER
△				



CUT OUT DIMENSION(433x358mm) UNIT:mm



TDL	< 30	±0.1	UNIT : mm	FINISHING		PART NO.		Ver.	A0
	< 120	±0.15		MATERIAL		MOLD NO.	IPC-19DF	Qty	1
	< 315	±0.2	3RD ANGLE'S	CHECKED		TITLE	IPC-19DF-3D3V		
	ANGLE TDL : ±0.25	±0.5°	DATE	DESIGNED	Mar tin	DRAWING NO.	IPC-19DF-3D3V.DWG		
				APPROVED	18-Dec-17	SIZE	A3	SCALE	0.25
						SHEET	1	OF	1