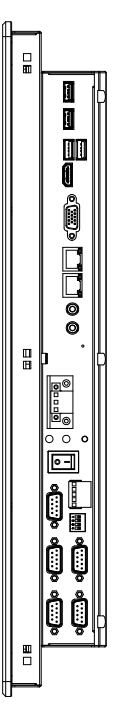
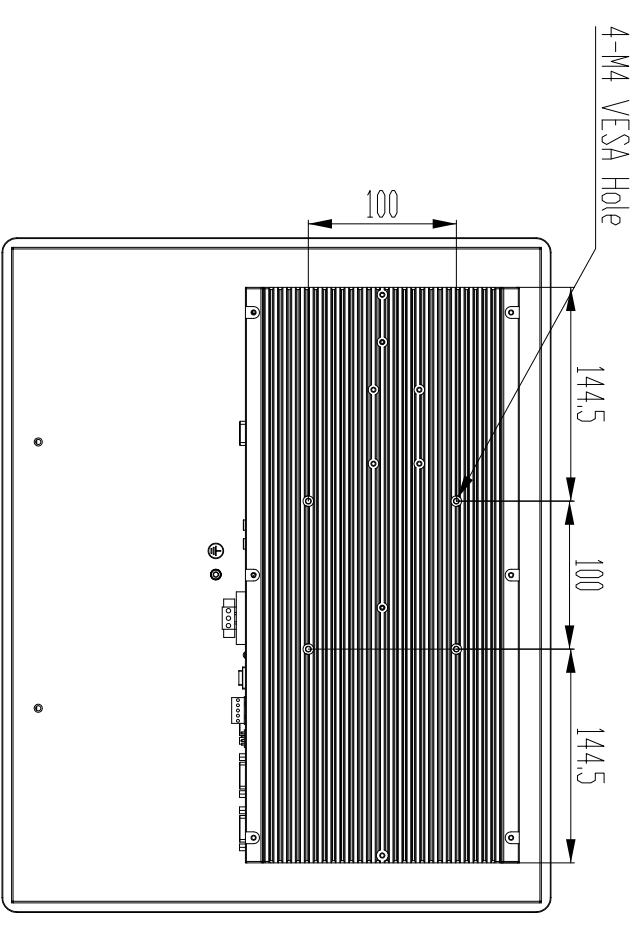
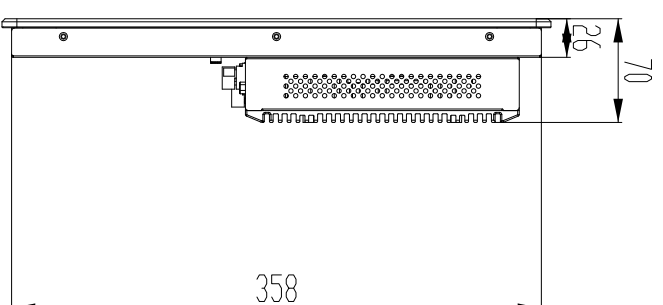
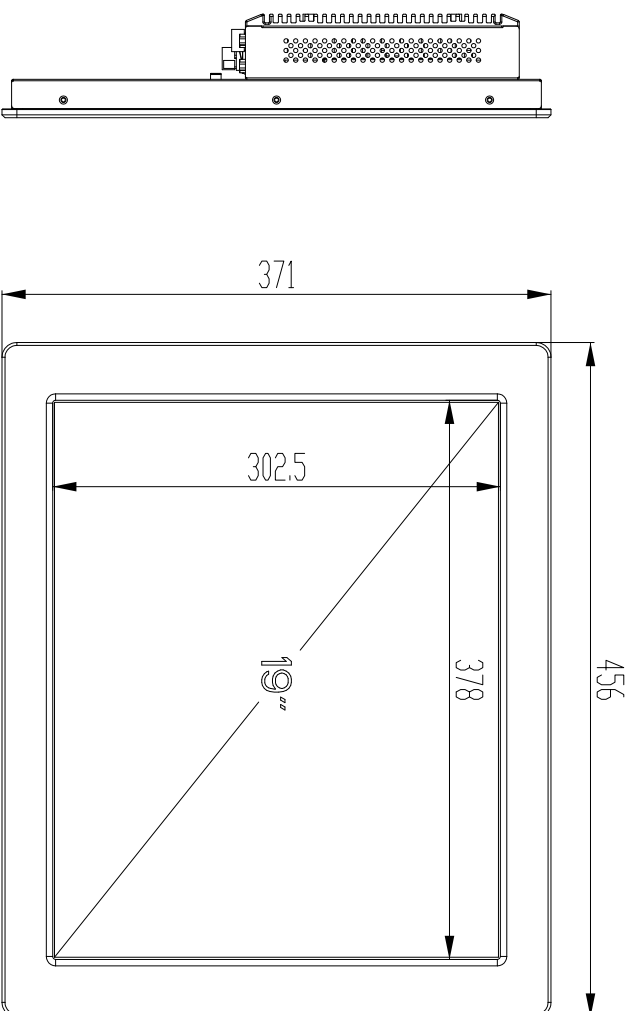
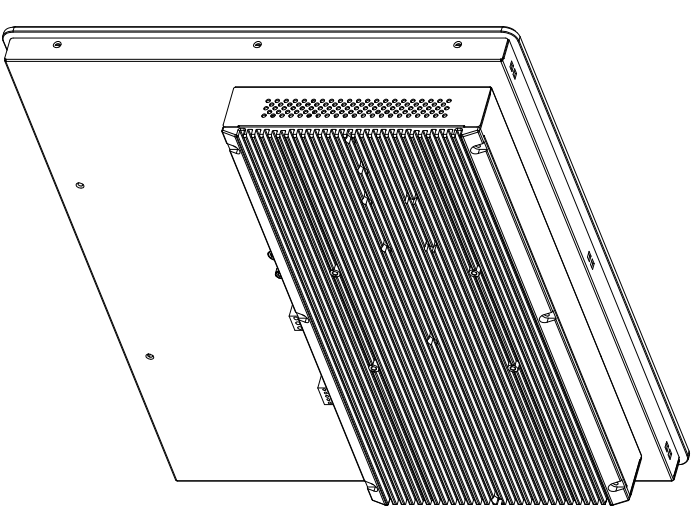
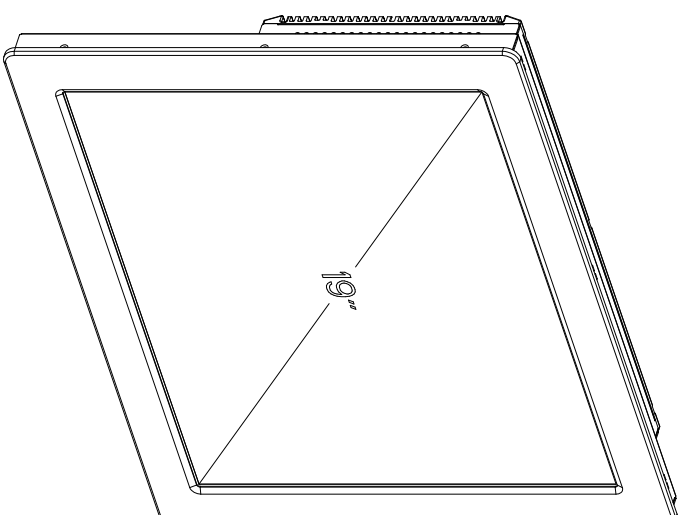
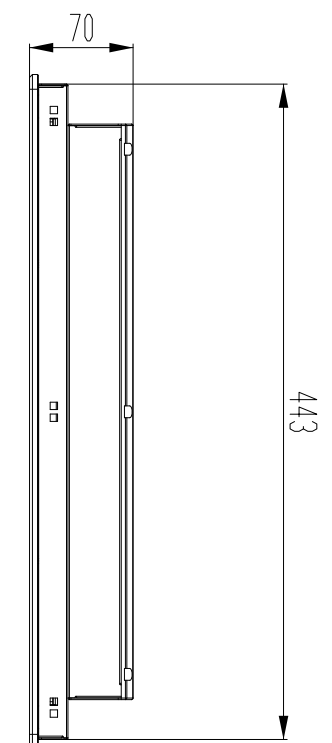


MARK	DATE	UPDATE DESCRIPTION	SIGN	APPROVER
△				



CUT OUT DIMENSION(445x360mm) UNIT:mm

* Note: this is a simplified drawing and some components are not marked in detail.
Please contact our sales representative if you need further product information.

 www.anxinpc.com		FINISHING	PART NO.	Ver.	A0
		MATERIAL	MOLD NO.	IPC-19PF	Qty
UNIT : mm 3RD ANGLES		CHECKED	TITLE		IPC-19PF-3D3V
±0.1 ±0.15 ±0.2 ±0.25 ±0.5°		DESIGNED	DRAWING NO.	IPC-19PF-3D3V.DWG	
ANGLE TOL :		DATE	SIZE	A3	SCALE
TOL 30 < 30 120 < 120 315 < 315		28-Mar-16	SIZE	A3	SCALE
			SCALE	0.25	SHEET: 1 OF 1