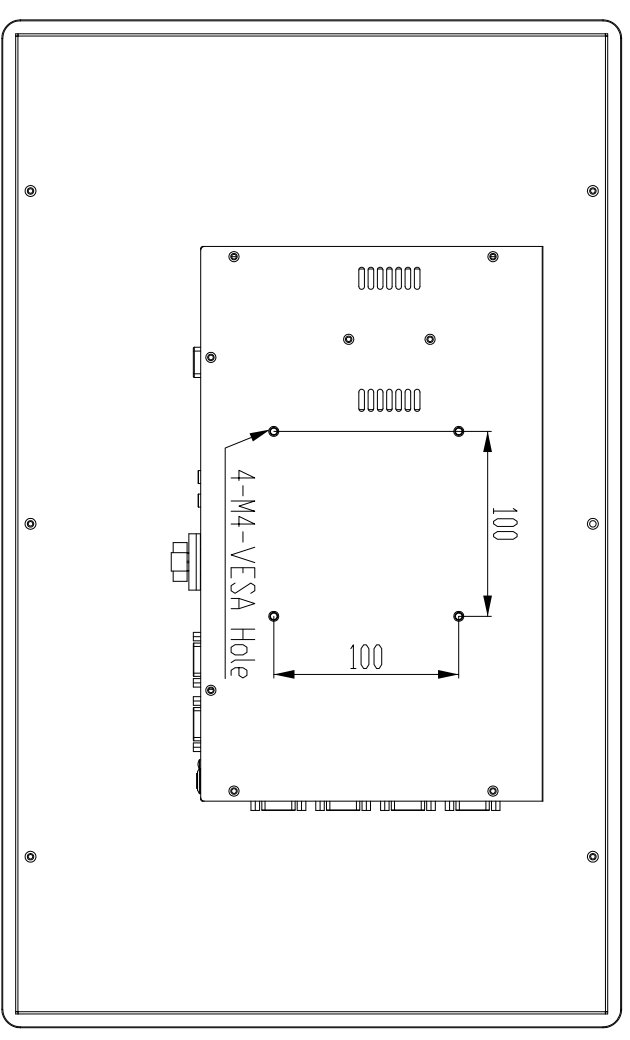
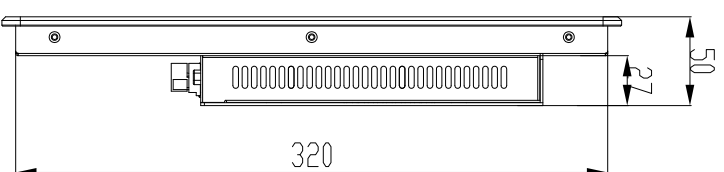
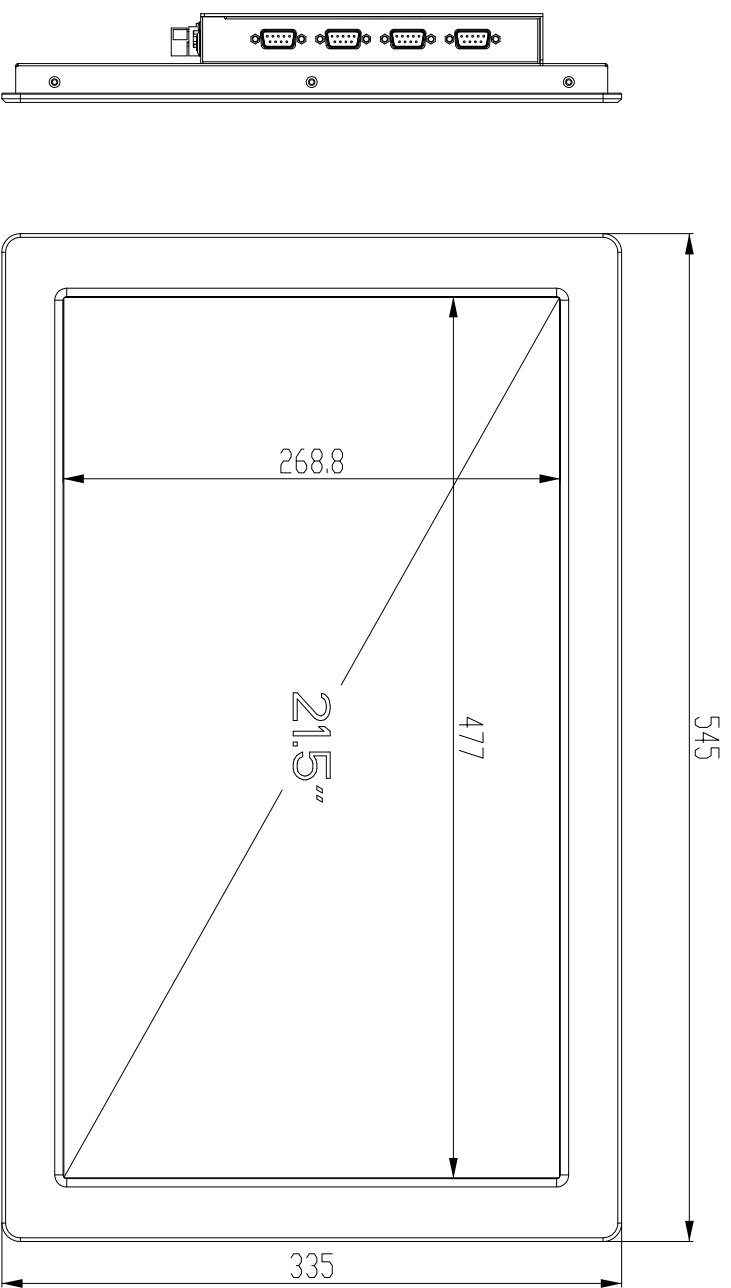
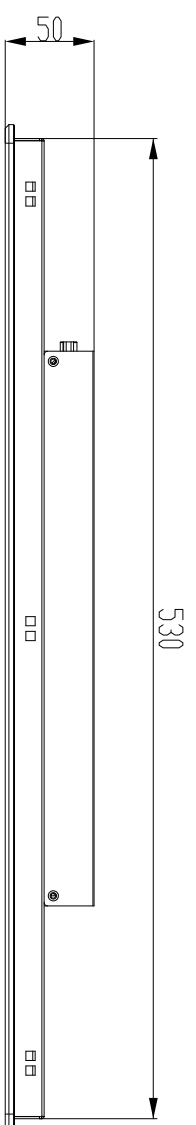
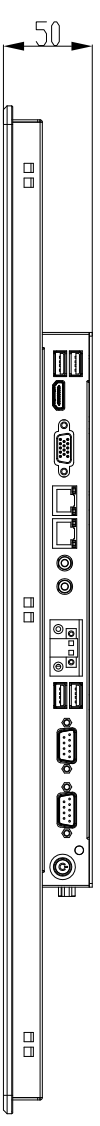


MARK	DATE	UPDATE DESCRIPTION	SIGN	APPROVER
△				



CUT OUT DIMENSION(532x322mm) UNIT:mm



 www.anxinpc.com		FINISHING		PART NO.		Ver.	A0
		MATERIAL		MOLD NO.	IPC-21W/DF	Qty	1
		APPROVED		TITLE		IPC-21W/DF-3D3V	
		CHECKED		DRAWING NO.	IPC-21W/DF-3D3V.DWG		
		DESIGNED	Mar tin	SIZE	A3	SCALE	0.25
		DATE	18-Dec-17	SHEET	1	OF 1	
TOL	< 30 : ±0.1 < 120 : ±0.15 < 315 : ±0.2 < 315 : ±0.25 ANGLE TOL : ±0.5°	UNIT : mm					

