

# RCIM-15

Rack Mount Monitor, 7u, 15" LCD, VGA, DVI/HDMI



## Features

- Compact 15" rack mount display monitor with 7U height
- 15" XGA TFT LCD Panel support 1024x768 pixels
- 90° tilt adjustment while mounted in rack: +45 °~ -45°
- Input signal : VGA + DVI/HDMI + AUDIO
- Optional signal input BNC, AV, S-Video
- OSD control keys to optimize the display
- AC 100-240V wide range external ac adapter
- Heavy duty steel chassis with strengthen glass (Touch option)
- Built in 2x2 watts stereo speaker
- Meet standard VESA hole ( 100x100 mm ), support desk top stand / wall mount/ swing arm mounting

## Specifications

### LCD characteristics

|                |                   |
|----------------|-------------------|
| Display Type   | 15" XGA TFT LCD   |
| Resolution     | 1024 × 768        |
| Max.color      | 16.2M             |
| Luminance      | 250 cd/m2         |
| View Angle     | 178°(H) , 160°(V) |
| Pixel Pitch    | 0.297 x 0.297 mm  |
| Contrast Ratio | 700 : 1           |
| Response Time  | 8 ms              |
| LCD MTBF       | 50,000hrs         |

### Input Signals

|                       |                                      |
|-----------------------|--------------------------------------|
| RGB Signal            | D-SUB 15P Connector (female)         |
| DVI-D Signal          | DVI-D input 24pin connector (female) |
| Audio                 | 3.5" Jack                            |
| DC input              | Aviation 2pin Plug                   |
| BNC Signal (Optional) | BNC input connector (female)         |

### Available Options

|                    |                               |
|--------------------|-------------------------------|
| Touch screen RS232 | D-SUB 9p connector (female)   |
| Touch screen USB   | USB-A type connector (female) |

|              |                   |
|--------------|-------------------|
| Input signal | HDMI, AV, S-Video |
|--------------|-------------------|

### Mechanical and Environmental

|                             |                                |
|-----------------------------|--------------------------------|
| Construction                | Heavy duty steel alloy chassis |
| Dimensions (WxHxD)          | 482.6 x 310.3 x 48 mm          |
| Weight                      | Net: 6.2kg , Gross:9.5kg       |
| Operating temperature       | -10~ 60°C (-14~140°F)          |
| Storage temperature         | -20~ 70°C (-4 ~ 158°F)         |
| Storage humidity            | 5%~ 95%, non-condensing        |
| Anti-Vibration              | 17HZ-500 HZ 1G PTP             |
| Anti-Shock                  | 1G / peak( 11m sec)            |
| Certification and Approvals | CE/FCC/ROHS                    |

### Power Supply

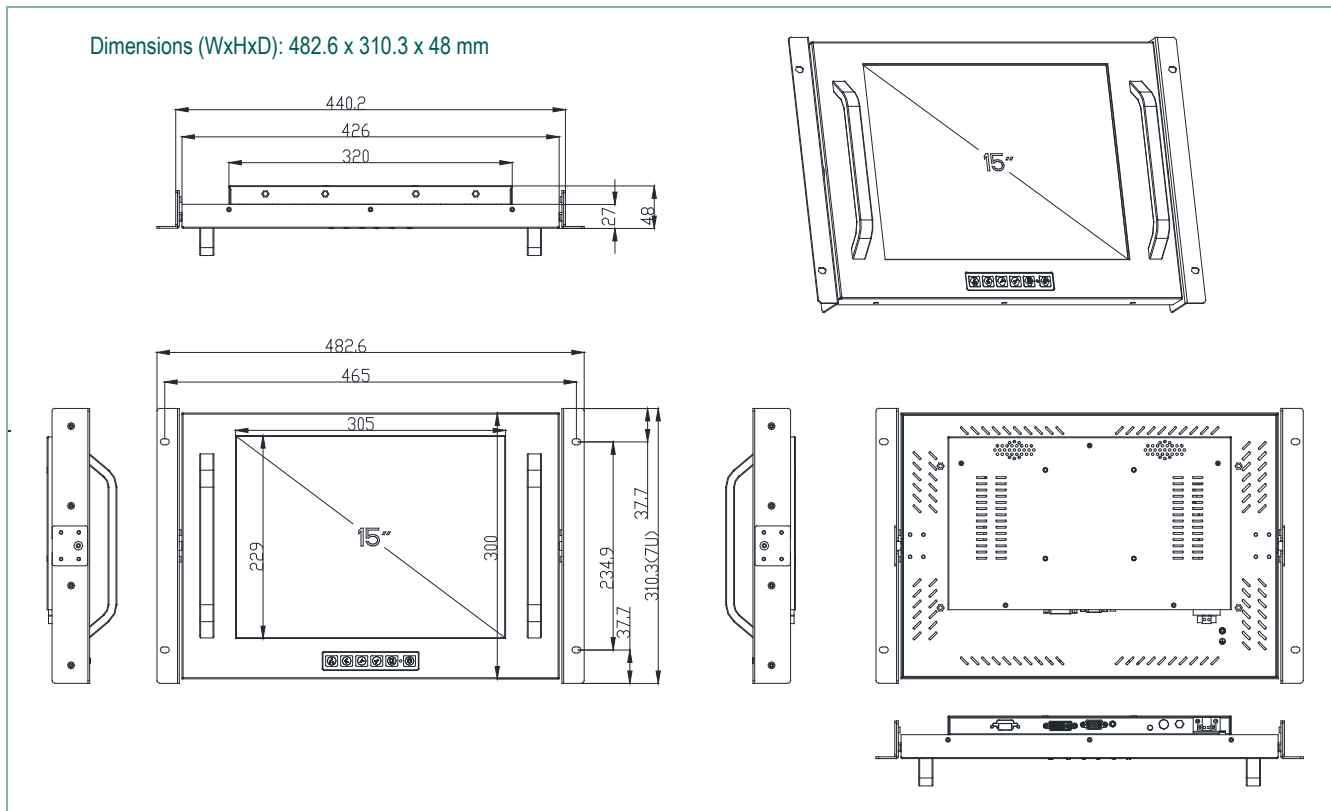
|                |                                       |
|----------------|---------------------------------------|
| Input          | 100~240VAC,50/60Hz                    |
| Output         | DC 12V@ 5A / 60W ,external ac adapter |
| DC Power Input | Wide Range 8~30v DC input             |

# RCIM-15

## Pictures & Views



## Dimensions Diagram



## Ordering information

| Model     | Descriptions  |
|-----------|---|
| RCIM-15   | 15" LCD Industrial Rack Mount Monitor with VGA + DVI/HDMI + Audio input   |
| RCIM-15TC | 15" LCD Industrial Rack Mount Monitor with VGA + DVI/HDMI + Audio input, with touch screen and RS232 controller |
| RCIM-15TU | 15" LCD Industrial Rack Mount Monitor with VGA + DVI/HDMI + Audio input, with touch screen and USB controller   |