

RCIM-173W

6u Rack mount monitor, 17.3" LCD, 1920 x 1080, touch screen option



Features

- 17.3" wide screen rackmount LCD Monitor Display, 6u Height
- 1920 x 1080 Ultra high resolution
- DVI/ HDMI & VGA Port
- Support FHD with 1080p resolution.
- 300 cd/m2 brightness
- Build in 2x 2 watts speakers
- OSD control keys to optimize the display
- DC 12V inut or 8 ~ 30V DC power input
- 2 x stereo speakers for industrial automation system voice output

Specifications

LCD characteristics

Display Type	17.3" Wide Screen LCD
Resolution	1920 x 1080
Max.color	262K
Luminance	300 cd/m2
View Angle	140°(H) , 120°(V)
Contrast Ratio	600:1
Response Time	8 ms
Backlight Life	50,000hrs

I/O Interface

RGB Signal	D-SUB 15P Connector (female)
HDMI Signal	HDMI input (female)
Audio	3.5" Jack
Power Connector	2-Pin Terminal Block
BNC Signal (Optional)	BNC input connector (female)

Available Options

Touch screen RS232	D-SUB 9p connector (female)
Touch screen USB	USB-A type connector (female)
Input signal	DVI-D, AV, S-vedio

Mechanical and Environmental

Construction	Heavy duty steel alloy chassis
Operate temperature	-10~ 60°C (-14~140°F)
Storage temperature	-20~ 70°C (-4 ~ 158°F)
Storage humidity	5%~ 95%, non-condensing
Anti-Vibration	17HZ-500 HZ 1G PTP
Anti-Shock	1G / peak(11m sec)
Dimensions (WxHxD)	402x 252 x 45 mm
Weight	Net: 7.0kg , Gross:8.5 kg
Certification and Approvals	CE/FCC/ROHS

Power Supply

Input	100~240VAC,50/60Hz
Output	DC 12V@ 5A/ 60W ,external ac adapter
DC Power (Optional)	Wide Range 8~30v DC input

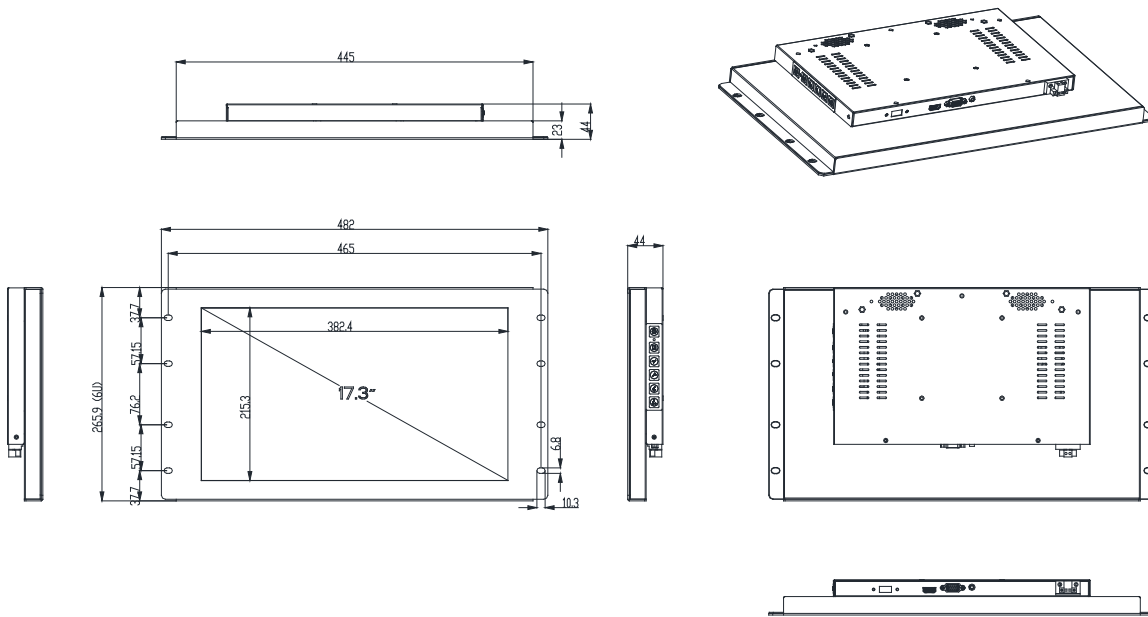
RCIM-173W

Pictures & Views



Dimensions Diagram

Dimensions (WxHxD): 402x 252 x 45 mm



Ordering information

Model	Descriptions
RCIM-173W	6u rack mount monitor with 17.3" LCD, VGA, HDMI/DVI, Audio input
RCIM-173WTC	6u rack mount monitor with 17.3" LCD, VGA + HDMI/DVI + Audio input, with touch screen and RS232 controller
RCIM-173WTU	6u rack mount monitor with 17.3" LCD, VGA + HDMI/DVI + Audio input, with touch screen and USB controller