

RCIM-173WX3

1.5U Rack mount monitor, Triple 17.3" LCD Display Console Drawer



Features

- 17.3" Rack Mount Triple LCD Display Console Drawer, 1.5u Height
- 1920 x 1080 Ultra high resolution
- Triple DVI, HDMI & VGA Ports
- Front 2xUSB, Rear 1xUSB 2.0 Type A, Sharing USB peripheral Device for computer (ex, flash disk, hard driver, KB/Mouse)
- 96-key keyboard with touch pad mouse
- USB 2.0 Keyboard & Mouse
- Build in 2x 2 watts speakers
- Self-locking and auto release rails

Specifications

LCD characteristics	
Display Type	17.3" Wide Screen LCD
Resolution	1920 x 1080
Max. color	262K
Luminance	300 cd/m2
View Angle	140°(H) , 120°(V)
Contrast Ratio	600:1
Response Time	8 ms
Backlight Life	50,000hrs
System & I/O	
LCD displays	Triple LCD Displays
Input Signal	3 x DVI-D, 3 x HDMI, 3x VGA
Audio	1 x 3.5mm Audio jack
KB/Mouse interface	1 x USB2.0 for Keyboard & Mouse
Keyboard	96-keys and touchpad
USB HUB	Front x2 & Rear x 1 USB 2.0 for USB Peripheral Device
Rack Depth	600mm to 900mm rack-mount cabinet front rails to rear rails
Speaker	2x Speakers

Available Options	
Power options	48V, 24V or 12V DC Power
Input signal	Composite Video input

Mechanical and Environmental	
Construction	Heavy duty steel alloy chassis
Operate temperature	-10~ 60°C (-14~140°F)
Storage temperature	-20~ 70°C (-4 ~ 158°F)
Storage humidity	5%~ 95%, non-condensing
Anti-Vibration	17HZ-500 HZ 1G PTP
Anti-Shock	1G / peak(11m sec)
Dimensions (WxHxD)	450x67x 550 mm
Weight	Net: 17.9 kg , Gross:23 kg

Power Supply	
Standard	100-240V AC 50/60Hz via IEC Type power cord
DC Power (Optional)	Wide Range 9~36v DC input

RCIM-173WX3

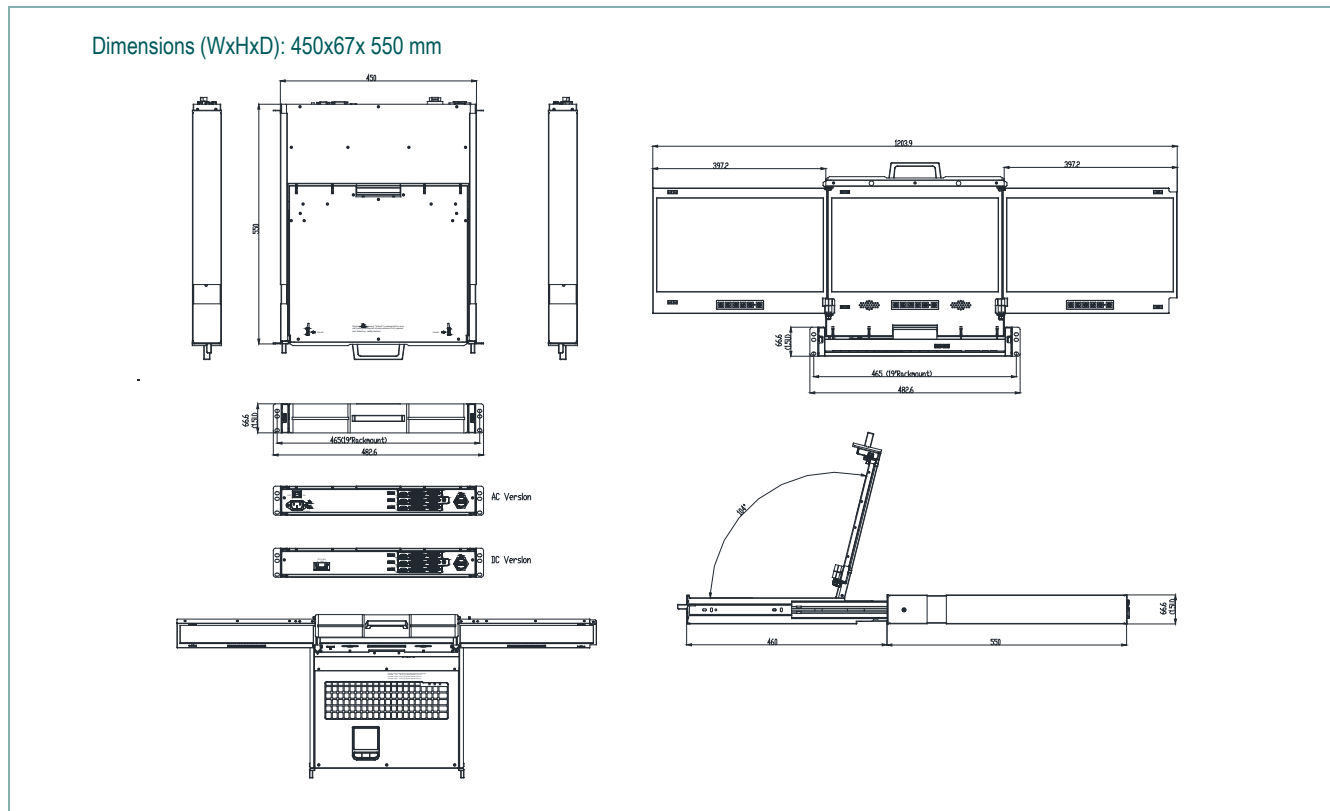
Pictures & Views



AC Power Version

DC Power Version

Dimensions Diagram



Ordering information

Model	Descriptions
RCIM-173WX3A	1.5U Rack mount monitor, Triple Screen LCD Console Drawer with 17.3 inch wide lcd, Keyboard & touchpad, 100-240V AC IEC Type power cord
RCIM-173WX3D	1.5U Rack mount LCD monitor, Triple Screen LCD Console Drawer with 17.3 inch wide lcd, Keyboard & touchpad, 9~36V DC input