

RCIM-2x8

4u Rack Mount Dual 8" XGA TFT LCD monitor, VGA & BNC



Features

- Dual 8" XGA TFT LCD rack mount monitor, 4U Height
- Construction: 19 inch rackmount Heavy duty steel chassis
- Input signal: VGA , BNC
- AV, SVideo optional
- Power Supply: External 60W DC 12V power adapter
- DC 8 ~ 30v input power module optional
- 90° tilt adjustment while mounted in rack: +45° ~ -45° (V)
- OSD Control: Power Switch, Menu, Select (+,-), Enter
- Touch screen or Strengthen glass

Specifications

LCD characteristics

Display Type	8" XGA TFT LCD
Resolution	1024 × 768
Max. color	16.2M
Luminance	300 cd/m ²
View Angle	170°(H) , 170°(V)
Pixel Pitch	0.15825 x 0.15825 mm
Contrast Ratio	700 : 1
Response Time	25 ms
LED Life Time	30,000hrs

Input Signals

RGB Signal	D-SUB 15P Connector (female)
DC input	Aviation 2pin Plug
BNC Signal	BNC input connector (female)

Available Options

Touch screen RS232	D-SUB 9p connector (female)
Touch screen USB	USB-A type connector (female)
Input signal	AV, S-video

Mechanical and Environmental

Construction	Heavy duty steel alloy chassis
Dimensions (WxHxD)	482.6 x 117 x 50 mm
Weight	Net: 6.2kg , Gross: 9.2kg
Operating temperature	-10~ 60°C (-14~140°F)
Storage temperature	-20~ 70°C (-4 ~ 158°F)
Storage humidity	5%~ 95%, non-condensing
Anti-Vibration	17HZ-500 HZ 1G PTP
Anti-Shock	1G / peak(11m sec)
Certification and Approvals	CE/FCC/ROHS

Power Supply

Input	100~240VAC,50/60Hz
Output	DC 12V@ 5A / 60W ,external ac adapter
DC Power Input (Optional)	Wide Range 8~30v DC input



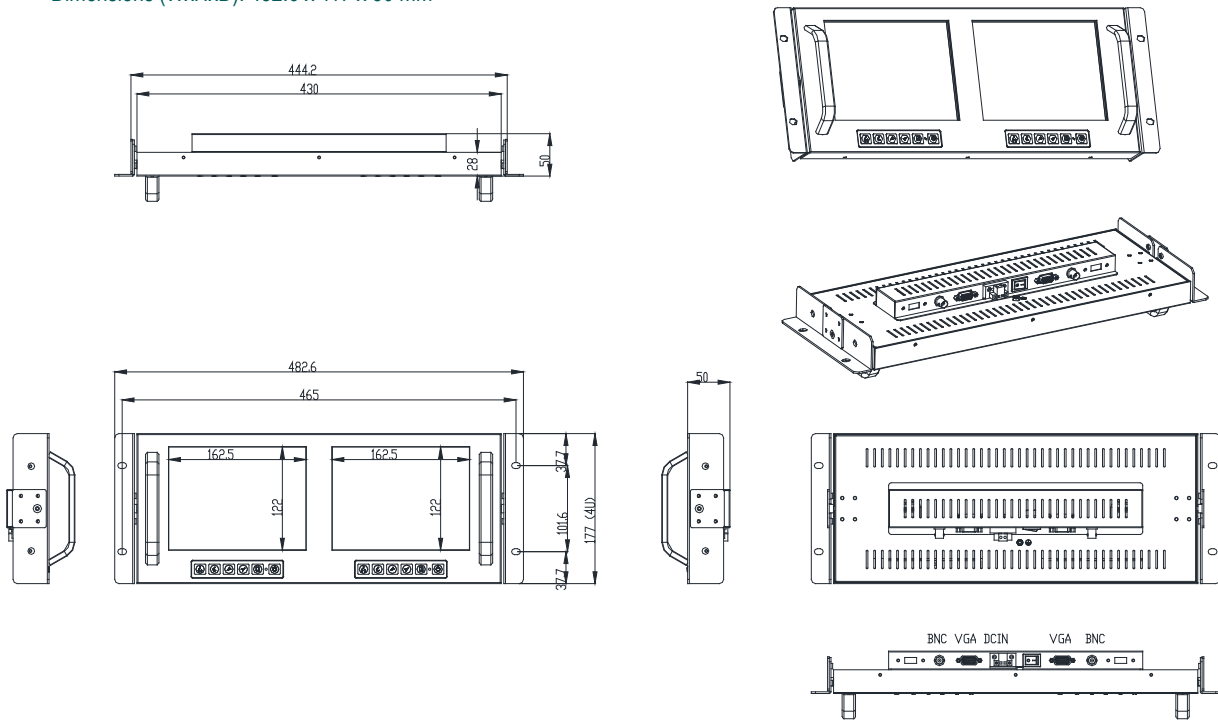
RCIM-2x8

Pictures & Views



Dimensions Diagram

Dimensions (WxHxD): 482.6 x 117 x 50 mm



Ordering information

Model	Descriptions
RCIM-2x8	Rack Mount Dual 8" LCD Monitor with VGA + BNC input, strengthen glass
RCIM-2x8TC	Rack Mount Dual 8" LCD Monitor with VGA + BNC input, with touch screen and RS232 controller
RCIM-2x8TU	Rack Mount Dual 8" LCD Monitor with VGA + BNC input, with touch screen and USB controller