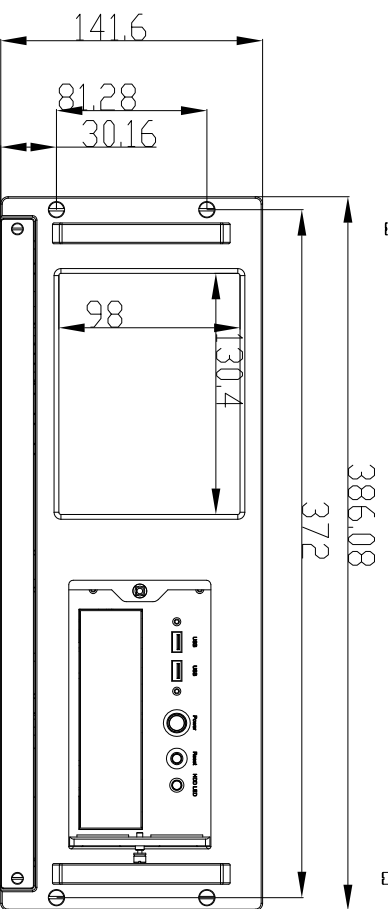
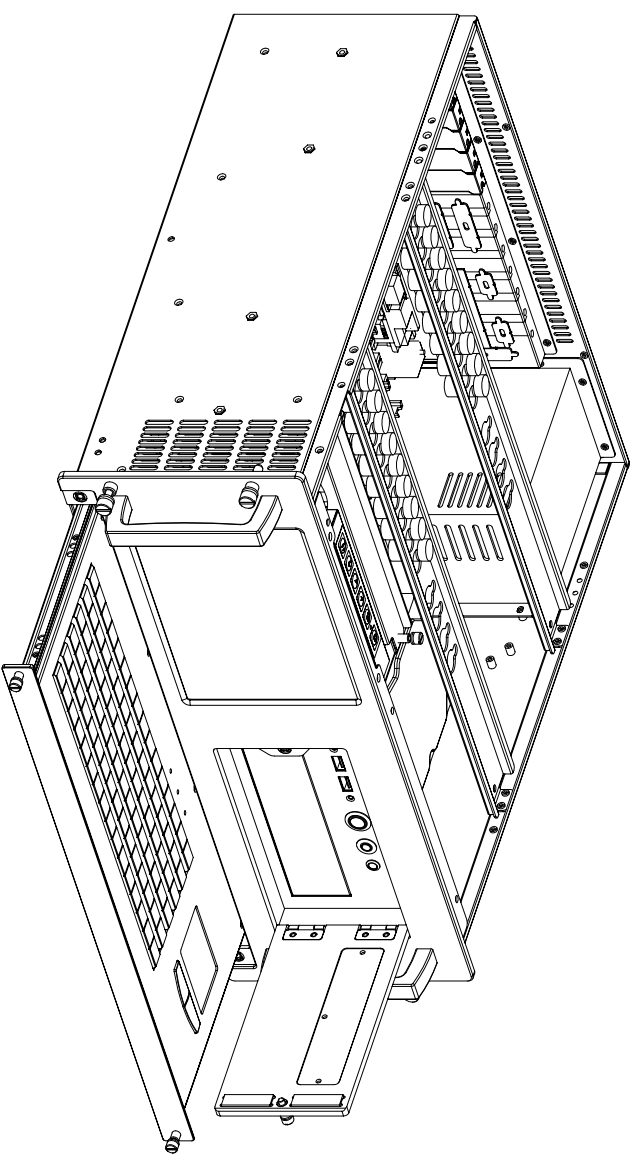
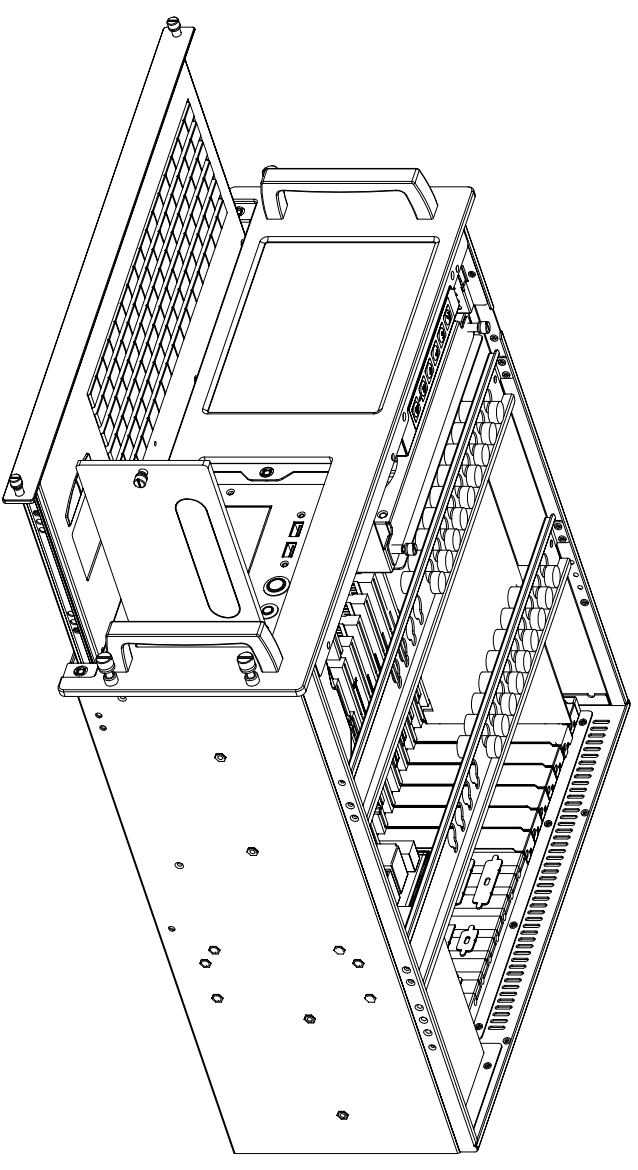
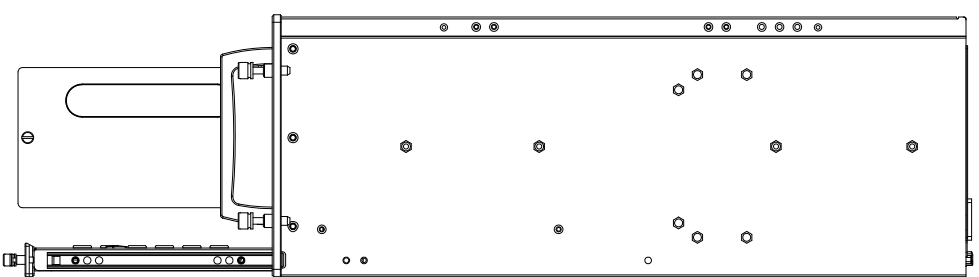
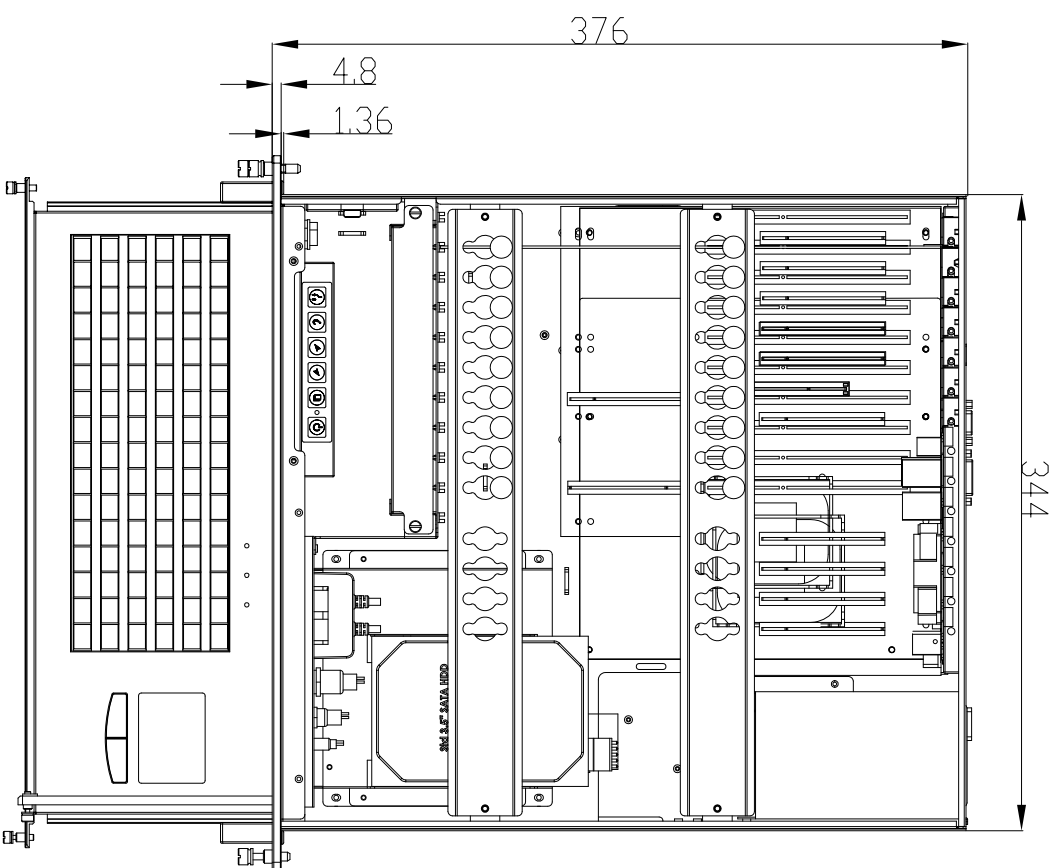
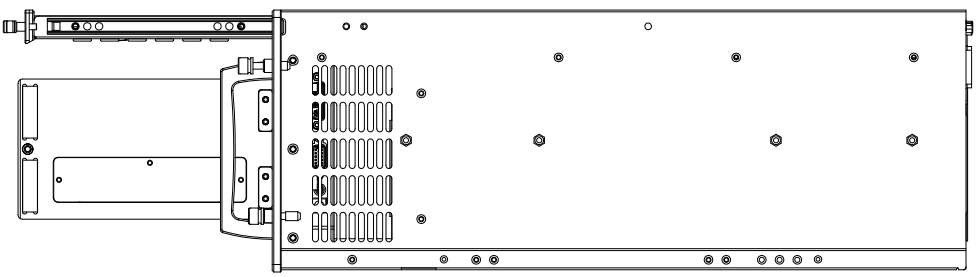
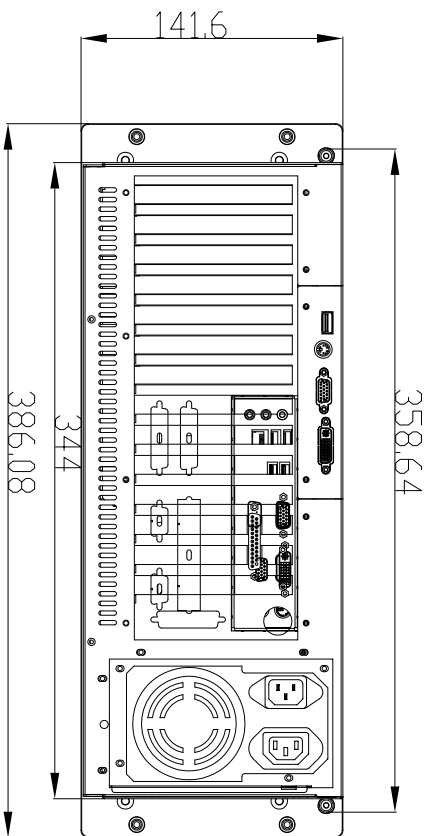



MARK ▽	DATE	UPDATE DESCRIPTION	SIGN	APPROVER
-----------	------	--------------------	------	----------



 www.anxinpc.com		FINISHING		PART NO.		Ver.	A0
		MATERIAL		MOLD NO.	RCVS-08N	Qty	1
UNIT : mm 3RD ANGLES		CHECKED		TITLE		RCVS-08N Dimensions	
DATE 15-Jul-12		DESIGNED	Martin	DRAWING NO.	RCVS-08N-3D3V.DWG	SCALE	0.25
TDL 30 < 30 : ±0.1 120 < 120 : ±0.15 315 < 315 : ±0.2 ANGLE TDL : ±0.25		DATE	15-Jul-12	SIZE	A3	SHEET	1 OF 1