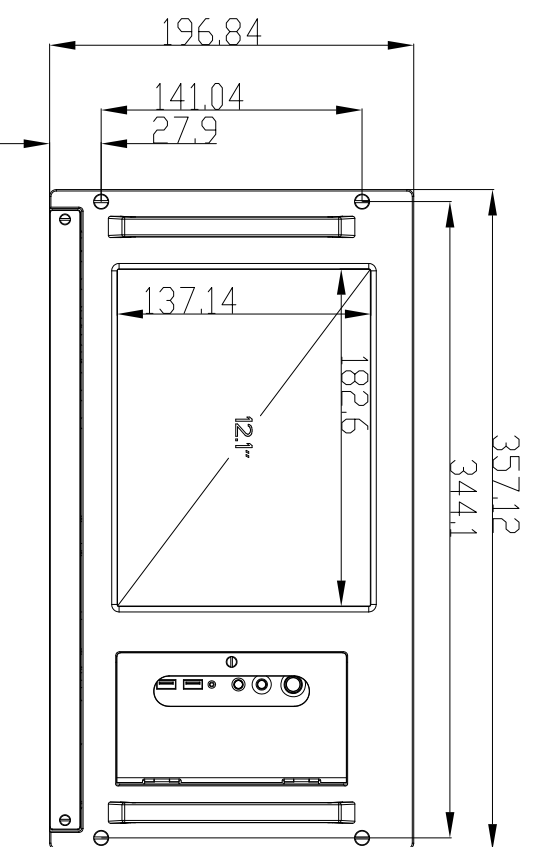
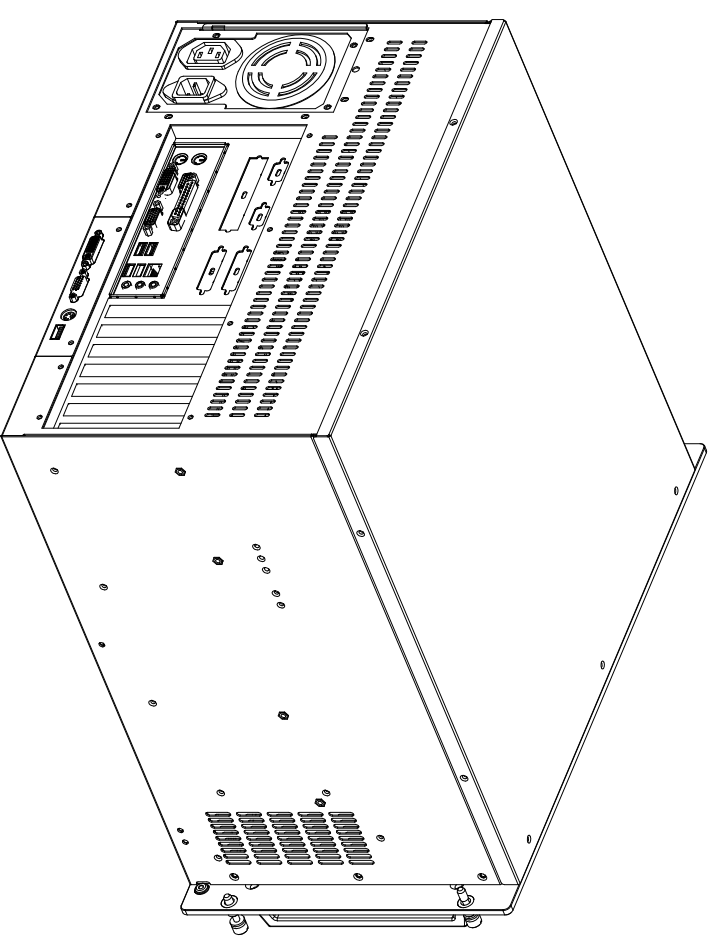
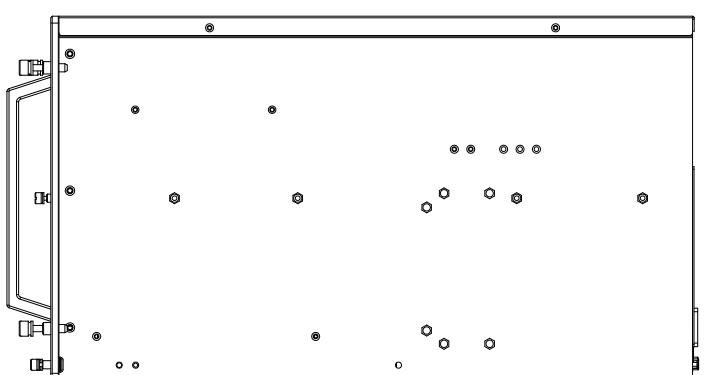
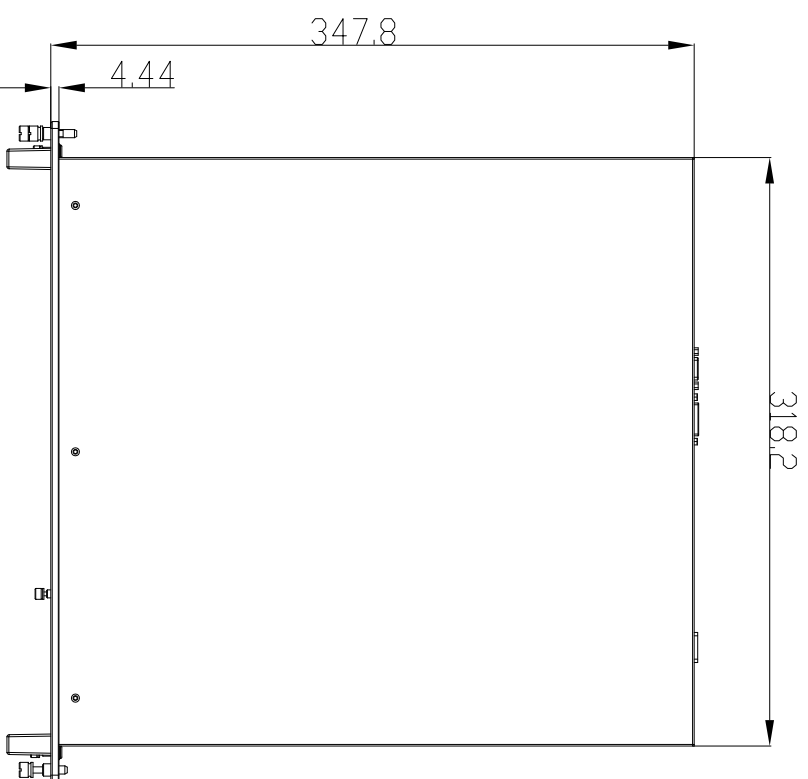
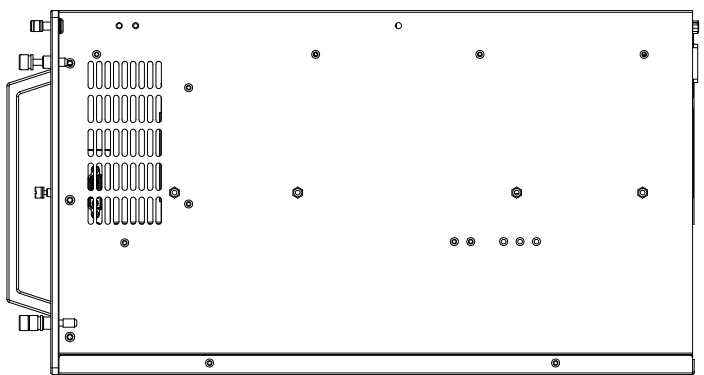
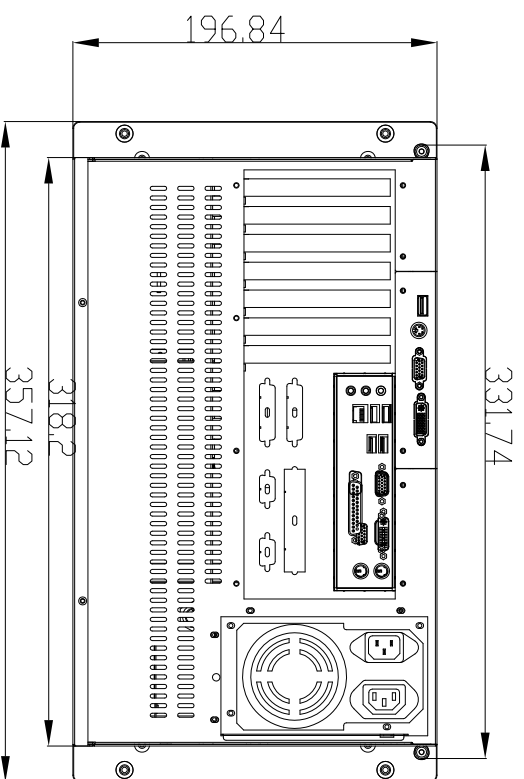


MARK	DATE	UPDATE DESCRIPTION	SIGN	APPROVER
✓				



 <a href="http://www.anxinpc.com">www.anxinpc.com</a>		FINISHING		PART NO.		Ver.	A0
		MATERIAL		MOLD NO.	RCWS-12N	Qty	1
UNIT : mm 3RD ANGLES		CHECKED		TITLE		RCWS-12N Dimensions	
DESIGNED DATE		DESIGNED	Max'tin	DRAWING NO.	RCWS-12N-3D3V.DWG		
DATE 15-Jul-12				SIZE	A3	SCALE	0.25
TDL 30 < 30 : ±0.1 120 < 120 : ±0.15 315 < 315 : ±0.2 ANGLE TDL : ±0.25 ANGLE TDL : ±0.5				SHEET	1	DF	1