

# IDM-12

12.1" Industrial grade LCD monitor with touch screen

Touch screen monitor



## Features

- 12.1" SVGA TFT LCD Panel support 800x600 pixels,400 cd/m2 brightness
- 6mm Aluminum front bezel with strengthen glass
- Rugged construction and slim modularized design
- Input signal : VGA + DVI + AUDIO
- OSD control keys to optimize the display
- AC 100-240V wide range external ac adapter
- Panel ( Flush ) mount with bracket
- NEMA4 / IP 65 compliant front panel
- Meet standard VESA hole ( 100x100 mm ), support desk top stand / wall mount/ swing arm mounting

## Specifications

### TFT characteristics

Display Type	12.1" SVGA TFT LCD
Resolution	800x600
Max.color	16.2M
Luminance	400 cd/m2
View Angle	140°(H) , 110°(V)
Pixel Pitch	0.3075 x 0.3075 mm
Contrast Ratio	600 : 1
Response Time	35 ms
LCD MTBF	50,000hrs

### Mechanical and Environmental

Construction	Heavy duty steel and aluminum front panel
Dimensions (WxHxD)	320 x 258.5 x 40 mm
Weight	Net: 4.5kg , Gross:6.0 kg
Operating temperature	0 °C to 50 °C
Storage temperature	-20 °C to 60 °C
Storage humidity	10% to 90% non-condensing
Anti-Vibration	17HZ-500 HZ 1G PTP
Anti-Shock	1G / peak( 11m sec)
Certification and Approvals	CE/FCC/ROHS

### Available Options

Touch screen	Resistive Type with USB and RS232 controller
DC Power Input	Wide Range 8~30v DC input
AV input	Composite video/audio, S-video input

### Input Signals

RGB Signal	D-SUB 15P Connector (female)
DC input	DC Jack (2.1mm)
Video input (option)	RCA Connector
S-Video signal (option)	S-Video (SVHS)plug
DVI-D Signal	DVI-D input 24pin connector (female)
Touch screen RS232 (option)	D-SUB 9p connector (female)
Touch screen USB (option)	USB-A type connector (female)

### Power Specifications

Input	100~240VAC,50/60Hz
Output	DC12V@ 5A / 60W ,external ac adapter

## Ordering information

### VGA + DVI input

<b>IDM-12</b>	12.1" Industrial LCD Panel Monitor with VGA + DVI + Audio input
<b>IDM-12TC</b>	12.1" Industrial LCD Panel Monitor with VGA + DVI + Audio input, with touch screen and RS232 controller
<b>IDM-12TU</b>	12.1" Industrial LCD Panel Monitor with VGA + DVI + Audio input, with touch screen and USB controller

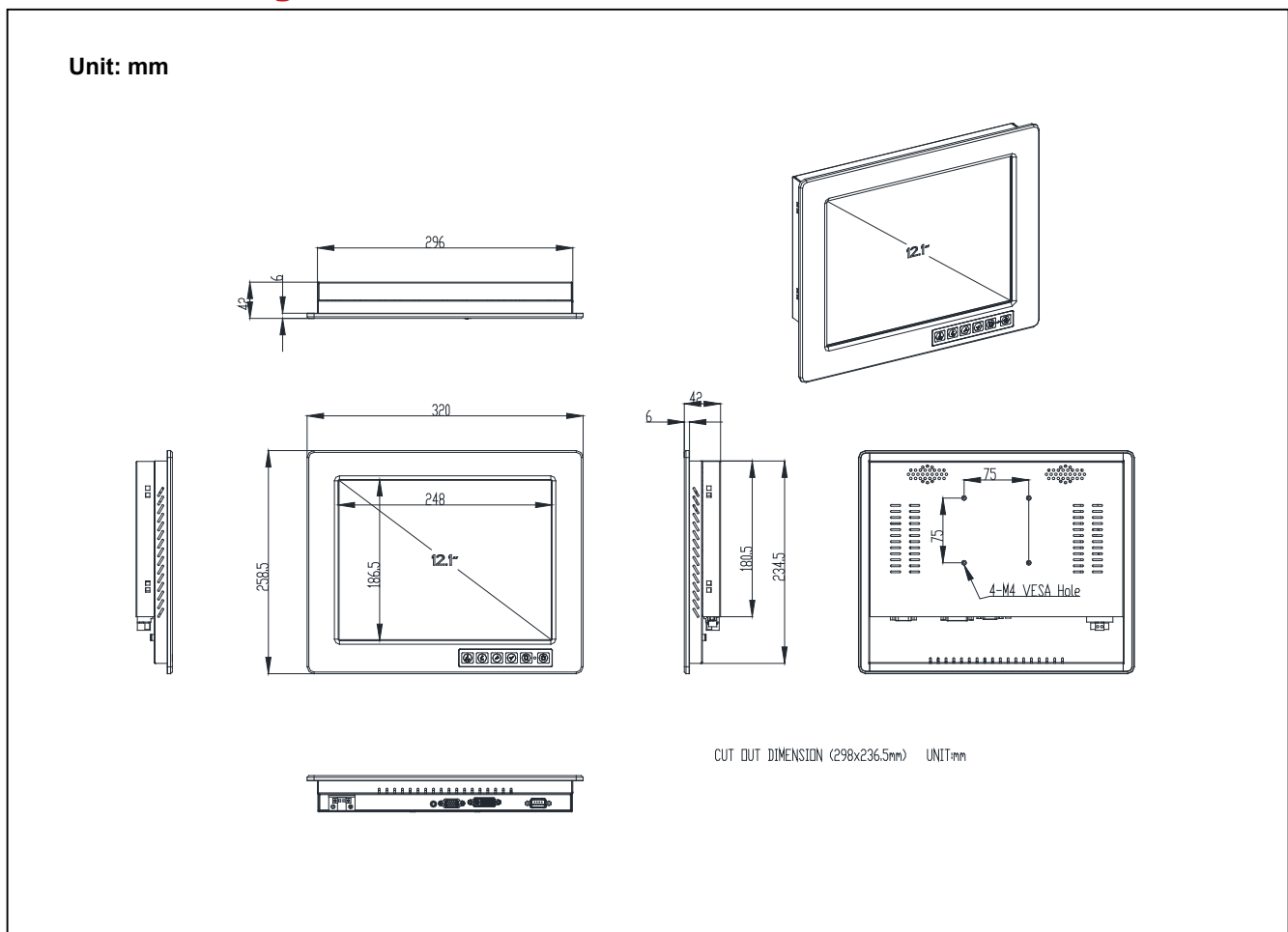
### AV input

<b>IDM-12A</b>	12.1" Industrial LCD Monitor with VGA + DVI + Audio + S-Video + Video input or BNC input
<b>IDM-12ATC</b>	12.1" Industrial LCD Monitor with VGA + DVI + Audio + S-Video + Video input or BNC input, with touch screen and RS232 controller
<b>IDM-12ATU</b>	12.1" Industrial LCD Monitor with VGA + DVI + Audio + S-Video + Video input or BNC input, with touch screen and USB controller

### Power Supply

<b>DC-DC Power</b>	DC 8 ~ 30v input power module
--------------------	-------------------------------

## Dimensions Diagram



Touch screen monitor