

IPC-19A

Industrial Panel PC with 19" 1280x1024 LCD & Touch screen



Features

- 19" SXGA TFT LCD Panel support 1280x1024 pixels
- 6mm Aluminum front bezel with resistive touch screen
- IP65 compliant aluminum front bezel
- Intel Celeron J1900 Quad Core 2.0G CPU
- Supports Windows Win7/Win8/Win10, Linux
- 6xCOM(5*RS232,1*RS422/RS485) , 1x LPT, 2x PS/2, 1xVGA, 4xUSB2.0, 2xLAN, 1x Audio, MIC
- 1* Mini PCIe slot for wifi optional
- Standard DC 12V input AC power adapter(optional DC 8-30V input)
- Panel (Flush) mount with clips
- Standard VESA 75/100mm support stand , wall mount and swing arm

Specifications

System	
Processor	Intel Celeron J1900 CPU
Chipset	Intel Bay trail SOC
Memory	DDR3 4G RAM(MAX 8G)
Graphic	Intel HD chipset
Storage	2.5" SSD/HDD (Size optional),
Ethernet	2 x 100/1000 LAN ports
Vedio	1 x VGA
Audio	1x Mic-in, 1x Line-out
USB Port	4 x USB2.0
Serial Port	6*COM (5* RS232,1*RS422/485)
Keyboard/Mouse ports	2x PS/2
Parallel ports	1 x LPT (SPP/EPP/ECP port)
Power switch	1 x Power Switch
Expansive Slot	1 x Mini PCIe
Power supply	1 x DC input terminal connector
Construction	Front aluminum bezel and steel chassis
LCD Panel	
Display Type	19" SXGA TFT LCD(LED backlight)
Resolution	1280*1024
Max.color	16.2M
Luminance	300 cd/m2

View Angle	170°(H) , 160°(V)
Pixel Pitch	0.292 x 0.292 mm
Contrast Ratio	1000:1
Response Time	5 ms
LCD MTBF	50, 000hrs

Available Options

Touch screen	Resistive type touch screen
Wireless LAN	Meet IEEE802.11b/g standard

Mechanical and Environmental

IP Level	Front panel IP65-rated
Dimensions (WxHxD)	456 x 371x 79 mm
Weight	Net: 8.0kg , Gross: 9.5 kg
Operating temperature	-10°C~ 60°C (-14~140°F)
Storage temperature	-20°C ~ 70°C (-4 ~ 158°F)
Storage humidity	5% to 95% @40°C non-condensing
Anti-Vibration	17HZ-500 HZ 1G PTP
Anti-Shock	1G / peak(11m sec)

Power Supply

Input	100~240VAC,50/60Hz, external ac adapter
Output	DC 12V, output 40W
DC Power Input (Optional)	Wide Range 8~30v DC input

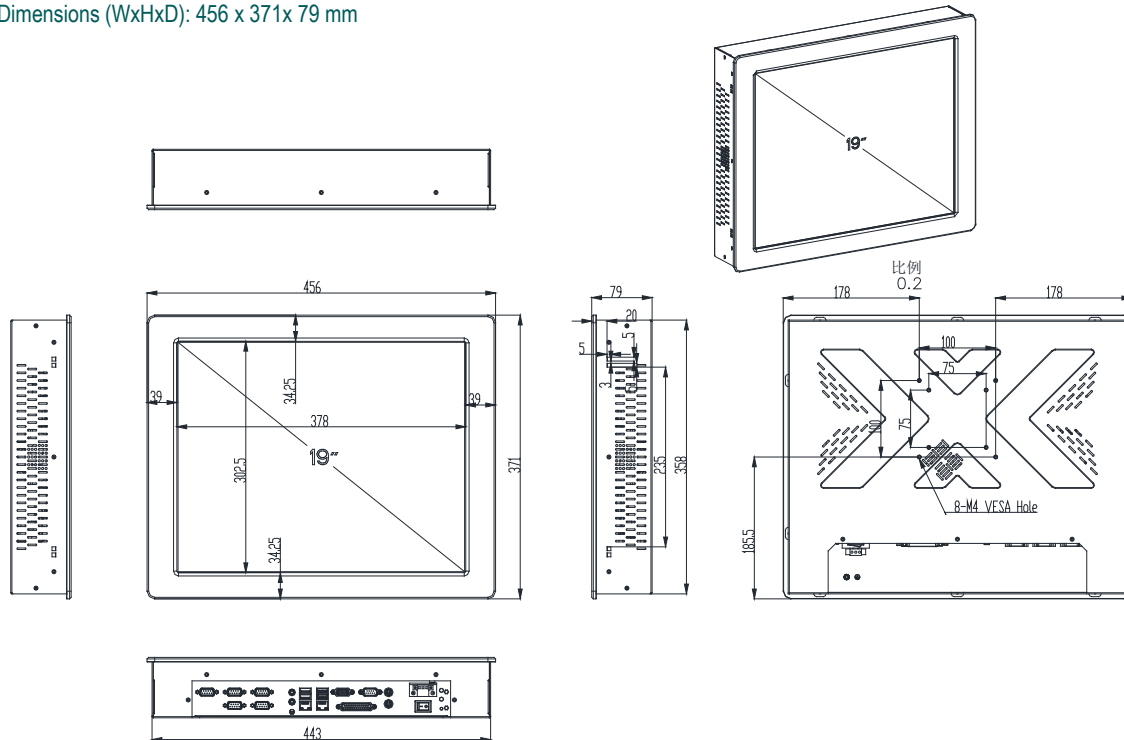
IPC-19A

Pictures & Views



Dimensions Diagram

Dimensions (WxHxD): 456 x 371x 79 mm



Ordering information

Model	Descriptions
IPC-19A	19 inches industrial panel PC, with Intel J1900 Processor, 4G RAM(Opional 8G), 2.5" SSD/HDD (Size optional), 6xCOM(5* RS232,1*RS485), 1x LPT, 2x PS/2, 1xVGA, 4xUSB, 2xLAN, 1x Audio, MIC, Resistive Touch Screen,12v power adapter
IPC-19AL	IPC-19A + Mini-PCIE wireless Lan card with antenna