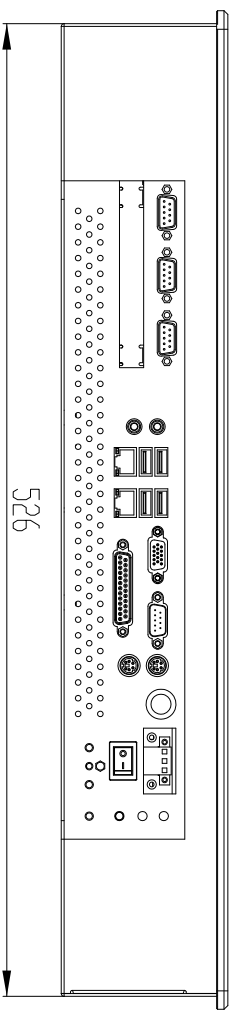
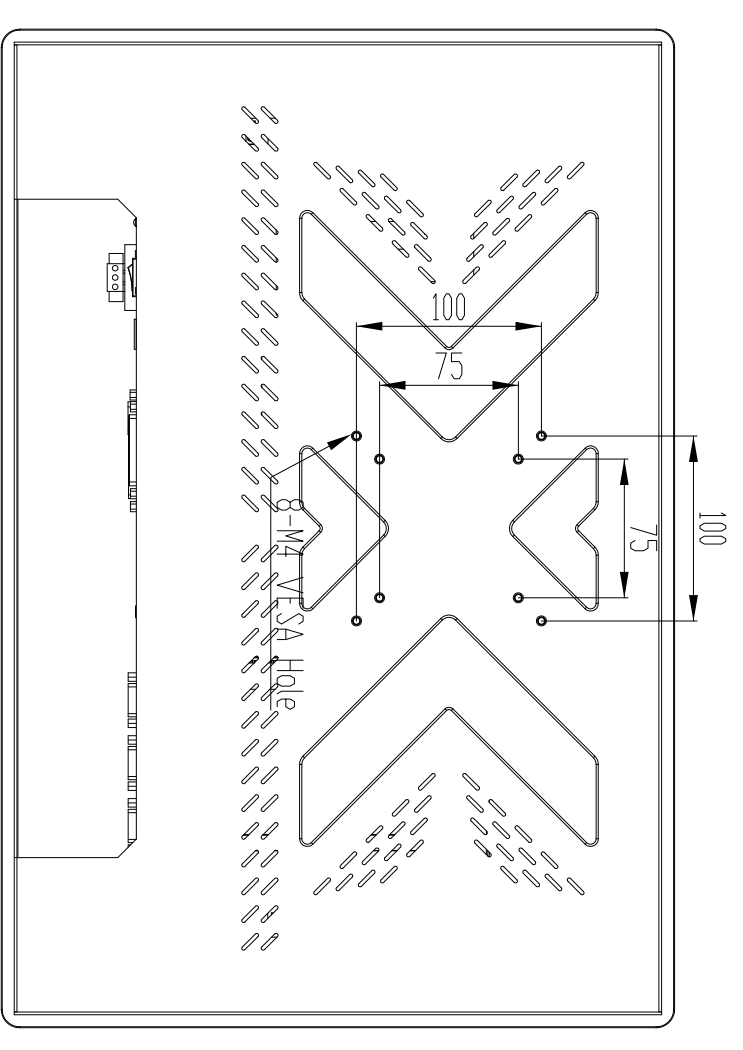
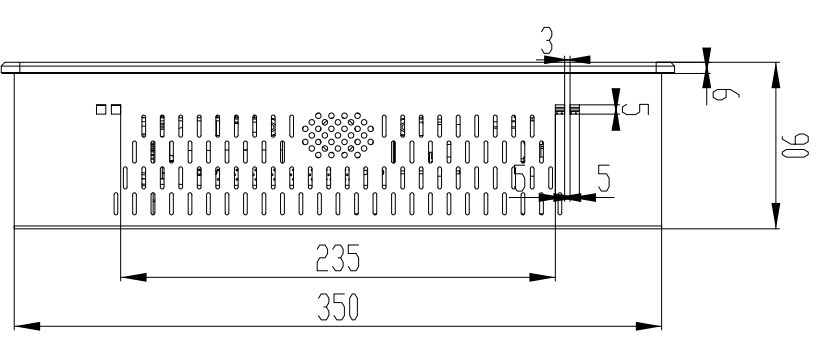
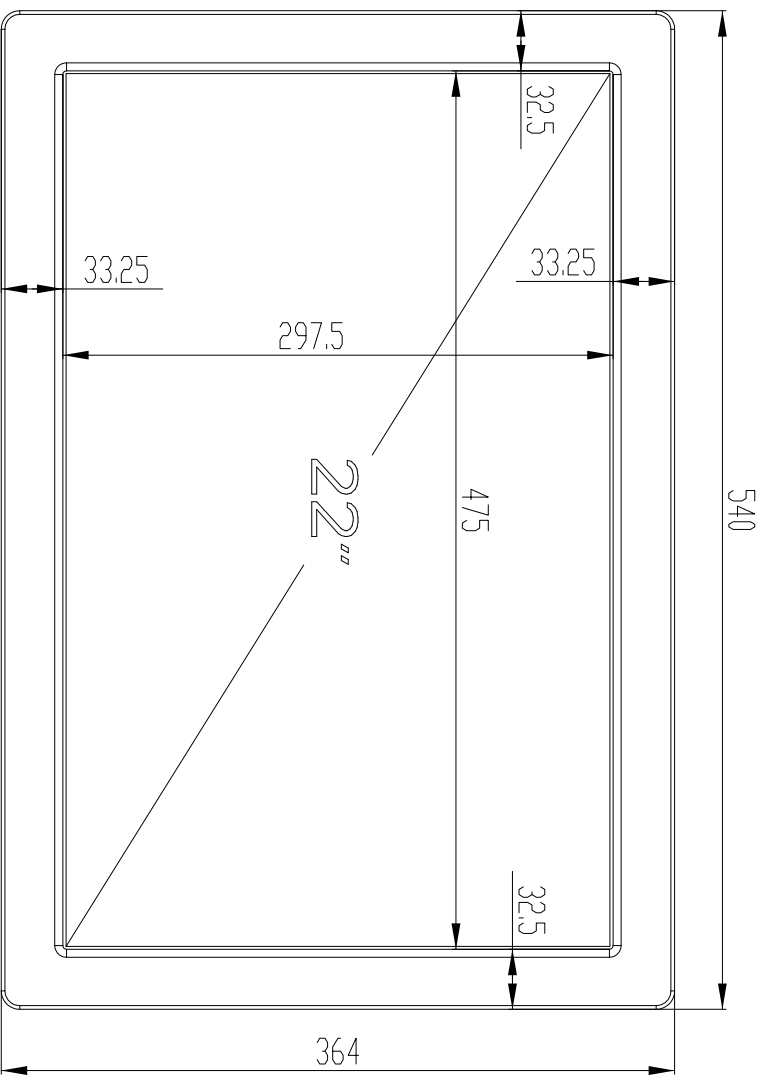
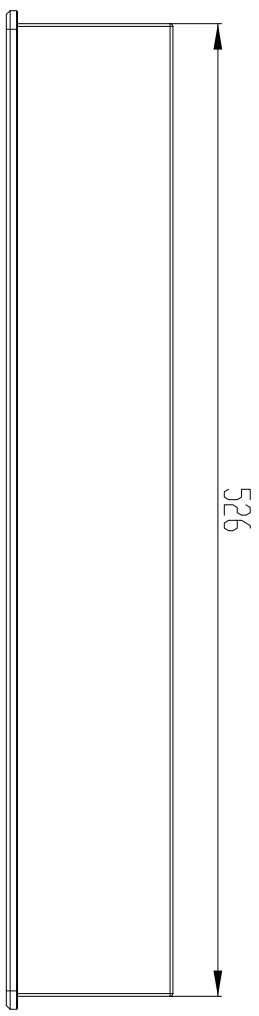


MARK	DATE	UPDATE DESCRIPTION	SIGN	APPROVER
△				



CUT OUT DIMENSION(528x352mm) UNIT:mm

* Note: this is a simplified drawing and some components are not marked in detail.
Please contact our sales representative if you need further product information.



TDL	30 <	120 <	315 <	±0.1	±0.15	±0.2	±0.25	±0.5°	UNIT : mm	CHECKED	DESIGNED	DATE	PART NO.	MOLD NO.	IPC-22DN	Ver.	A0
	30 <	120 <	315 <	±0.1	±0.15	±0.2	±0.25	±0.5°	3RD ANGLES	APPROVED	Martin	01-Mar-13	IPC-22DN-3D3V	IPC-22DN-3D3V	025	1	
www.anxinpc.com										TITTLE		DRAWING NO.		SCALE		SHEET: 1 OF 1	