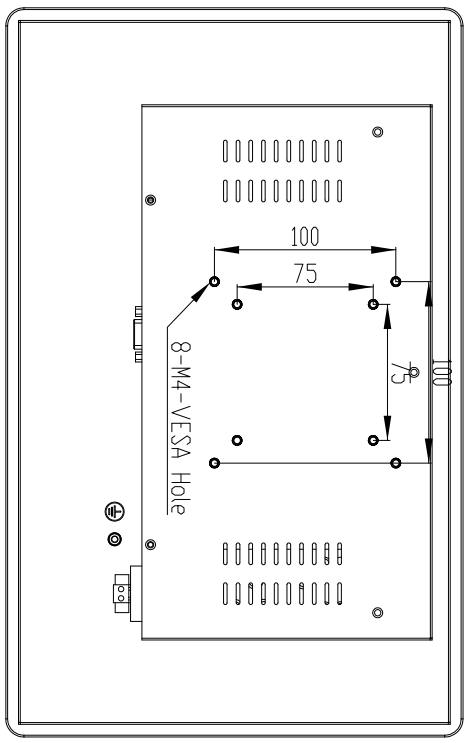
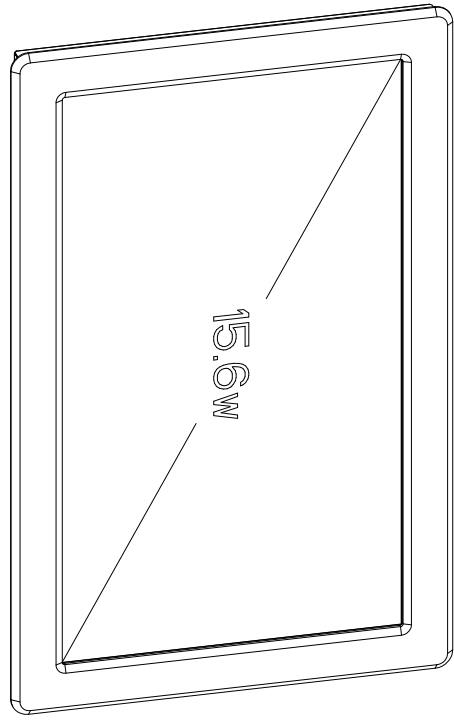
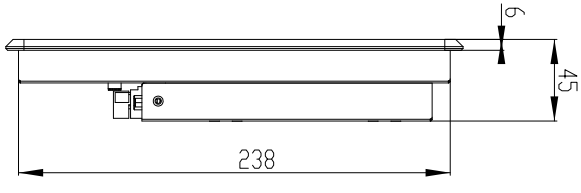
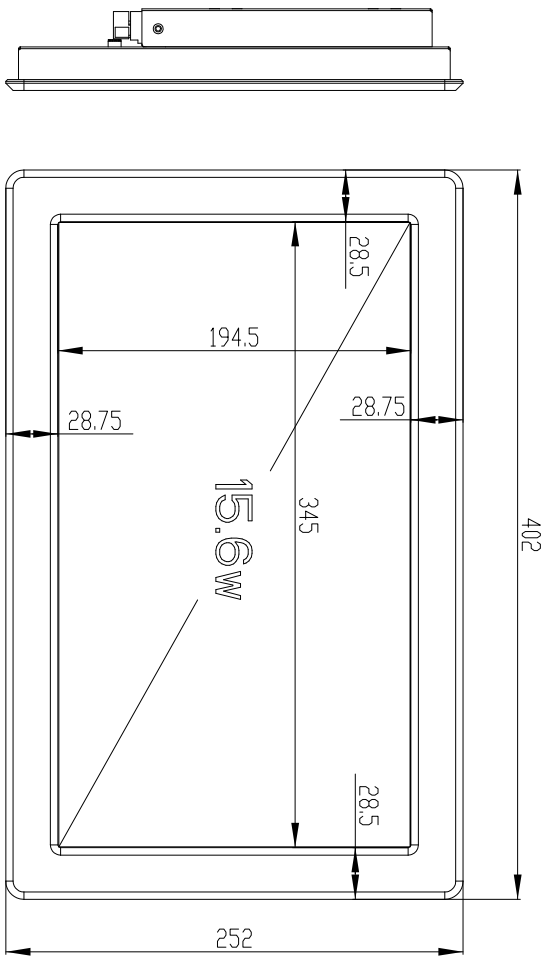
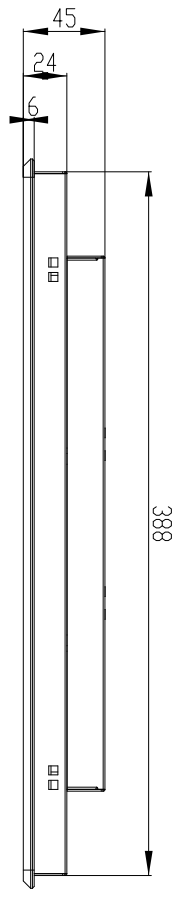


MARK	DATE	UPDATE DESCRIPTION	SIGN	APPROVER
△				



CUT OUT DIMENSION (390x240mm) UNIT:mm

* Note: this is a simplified drawing and some components are not marked in detail.
Please contact our sales representative if you need further product information.



TOL	< 30	±0.1	UNIT : mm	APPROVED	PART NO.	Ver.	A0
	< 120	±0.15	3RD ANGLES	CHECKED	MOJL NO.	0ty	1
	< 315	±0.2	DESIGNED	DATE	DRAWING NO.	SCALE	0.25
	< 315	±0.25	DATE	18-Dec-17	SIZE	A3	SHEET: 1 OF 1