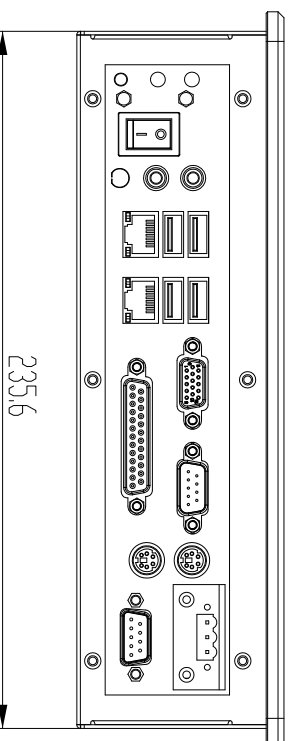
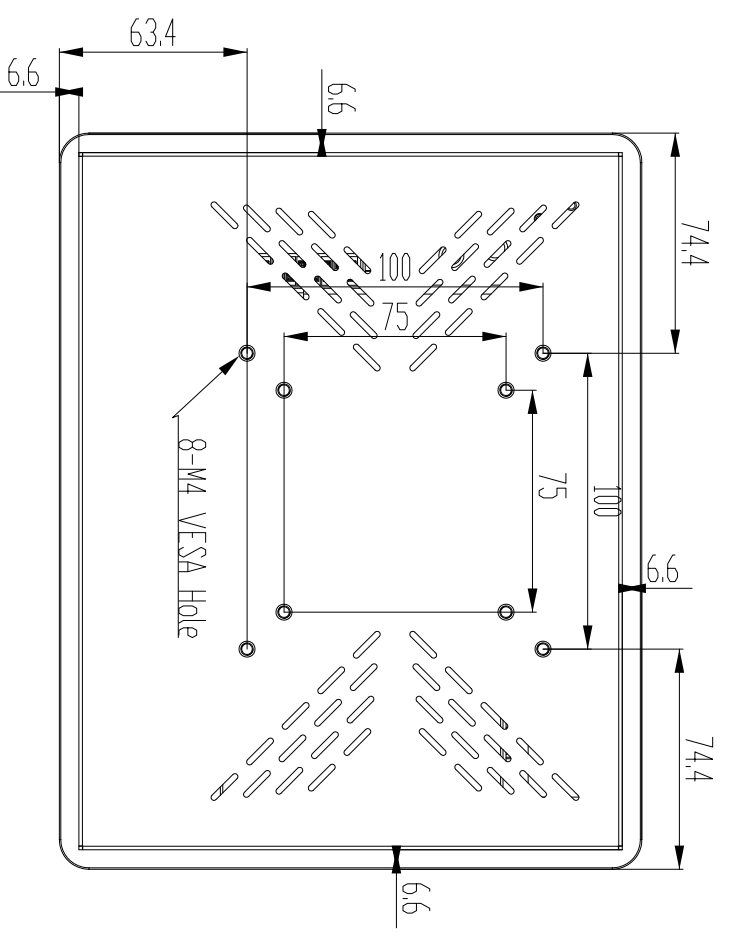
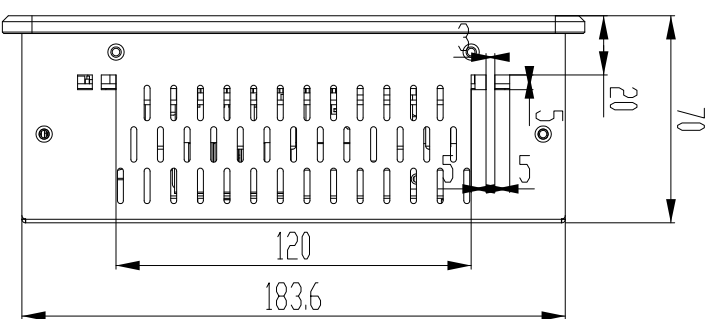
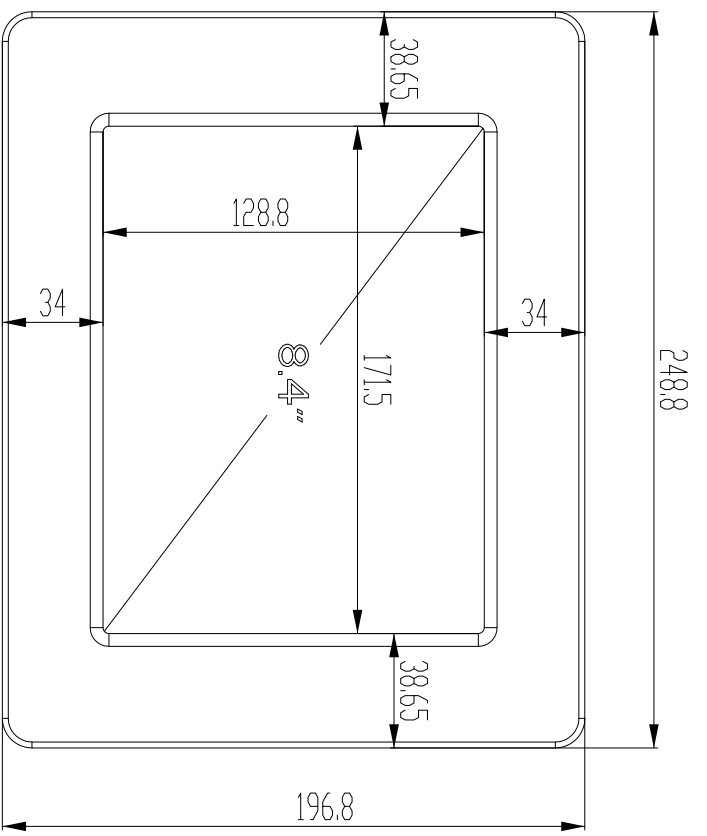
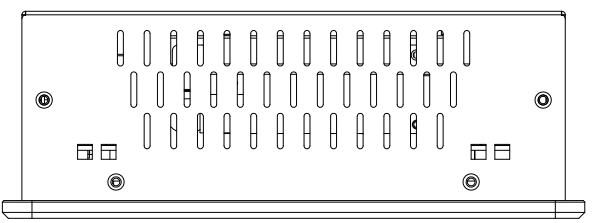
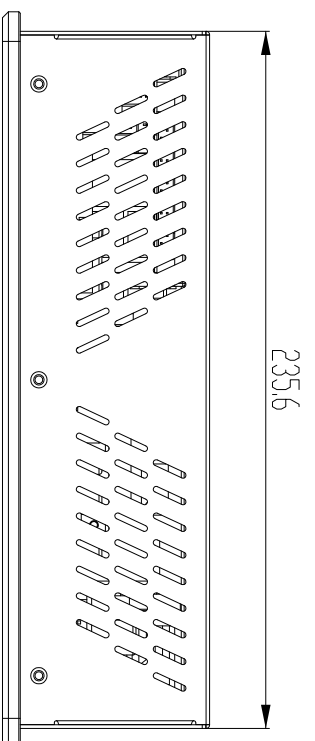


MARK	DATE	UPDATE DESCRIPTION	SIGN	APPROVER
△				



CUT OUT DIMENSION(237.5x185.5mm) UNIT:mm

* Note: this is a simplified drawing and some components are not marked in detail.
Please contact our sales representative if you need further product information.

 www.anxinpc.com		FINISHING		PART NO.		Ver.	A0
		MATERIAL		MOLD NO.	IPC-081DN	Qty	1
UNIT : mm		CHECKED		TITLE		IPC-081DN-3D3V	
3RD ANGLES	DESIGNED	DATE	Peter	DRAWING NO.	IPC-081DN-3D3V.DWG	SCALE	0.25
DATE	01-Mar-13	SIZE	A3	SCALE	0.25	SHEET:	1 OF 1
TDL	30 < 30 : ±0.1 120 < 120 : ±0.15 315 < 315 : ±0.2 ANGLE TDL : ±0.25	UNIT : mm	3RD ANGLES	DATE	01-Mar-13	SIZE	A3