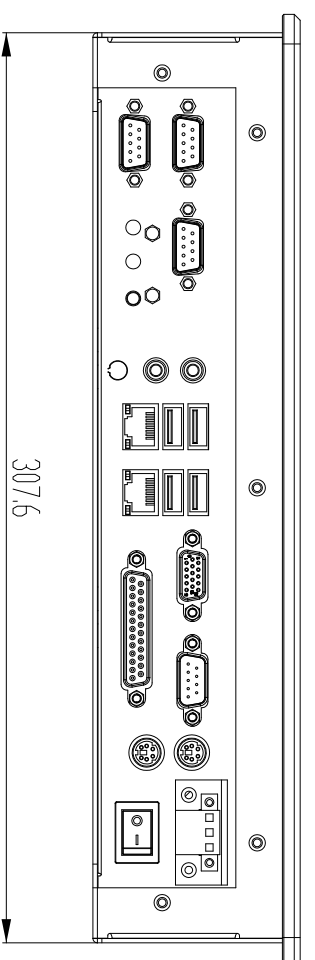
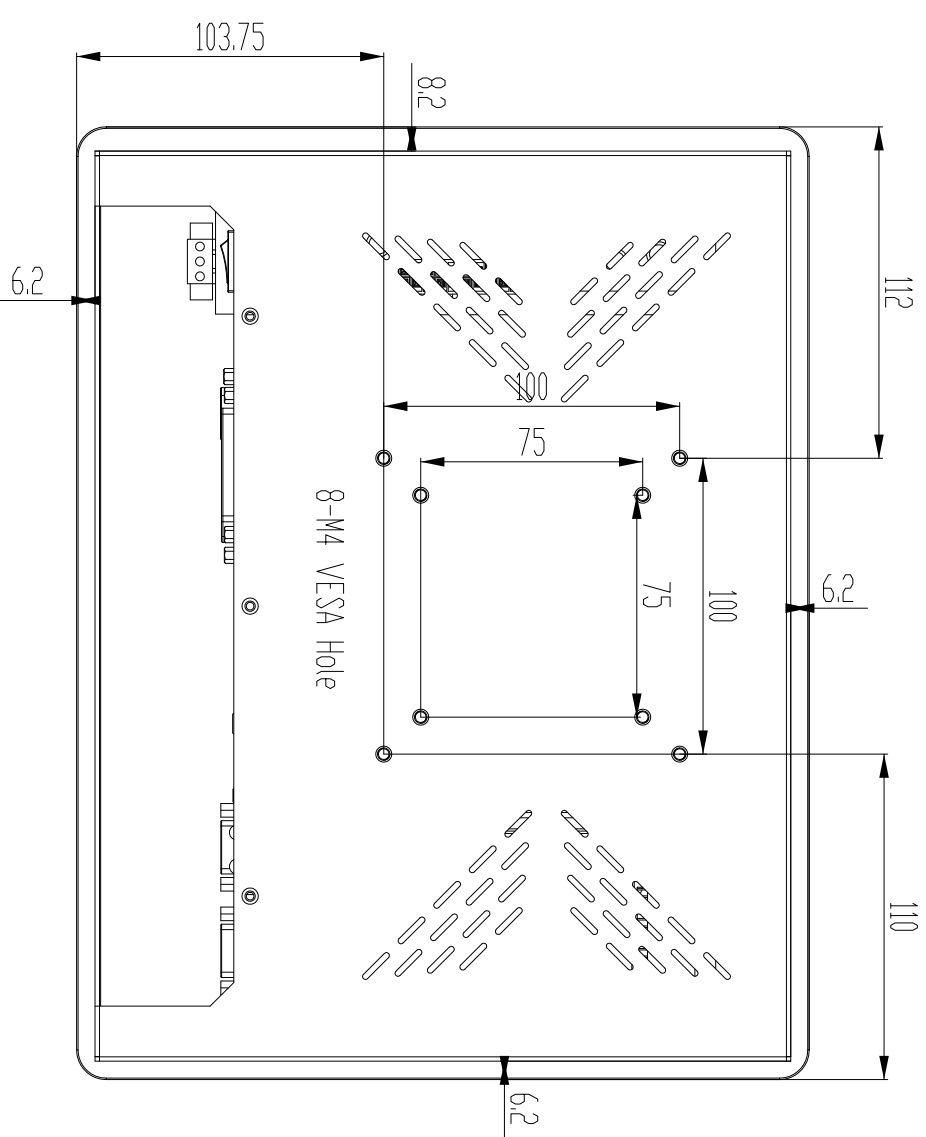
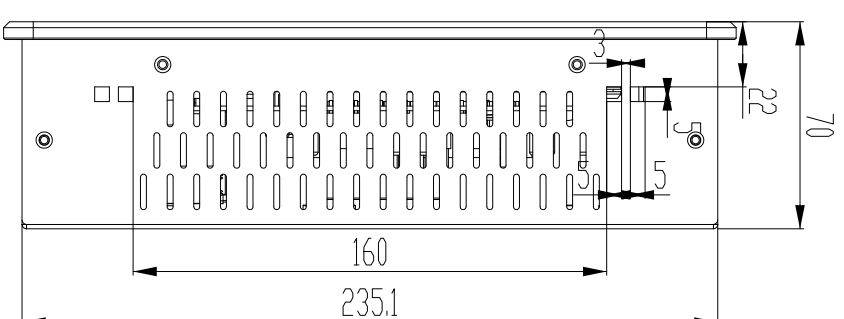
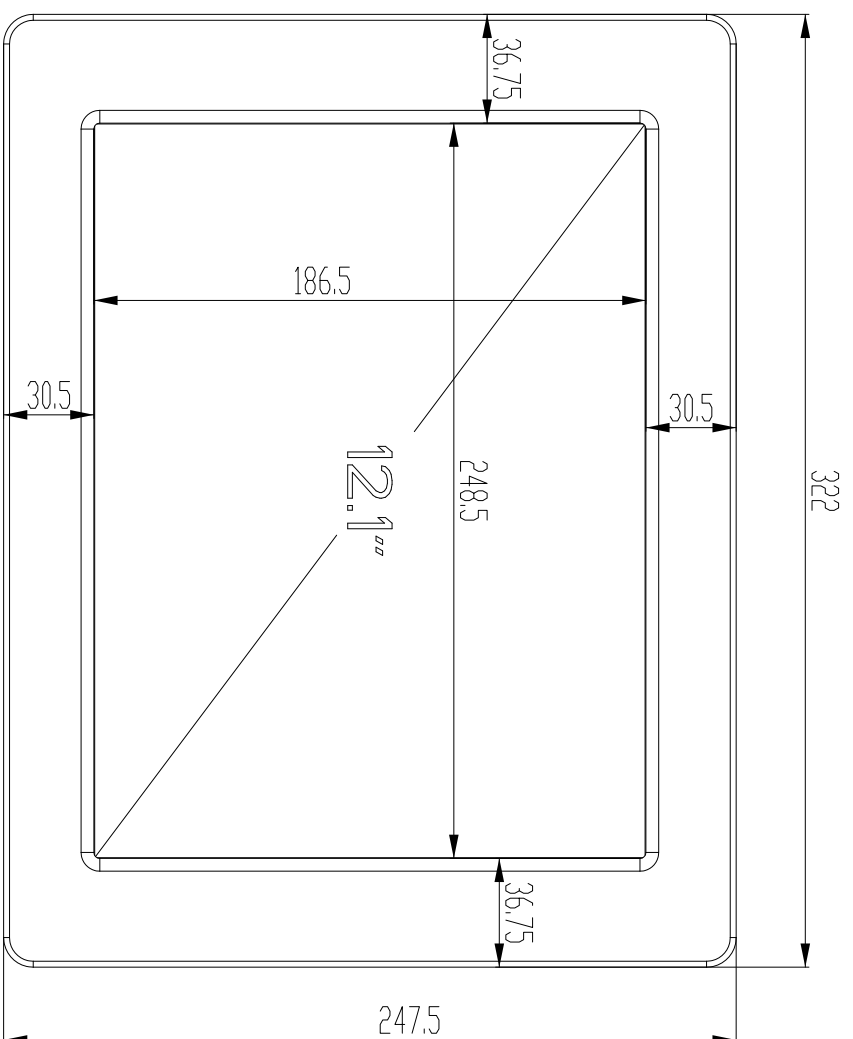
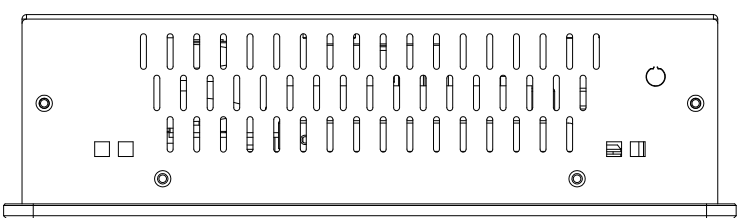
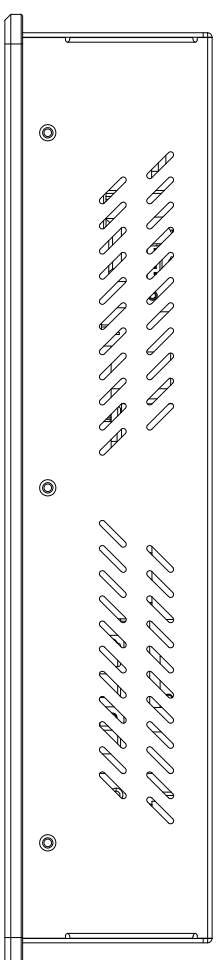


MARK	DATE	UPDATE DESCRIPTION	SIGN	APPROVER
△				



CUT OUT DIMENSION(309.5×237mm) UNIT:mm

* Note: this is a simplified drawing and some components are not marked in detail. Please contact our sales representative if you need further product information.



www.anxinpc.com

TDL	< 30	±0.1	UNIT : mm	CHECKED	APPROVED	PART NO.	Ver.	A0
	< 120	±0.15	3RD ANGLES	DESIGNED		MOLD NO.	Qty	1
	< 315	±0.2	DATE	18-Mar-13	TITLE	IPC-12DN		
	ANGLE TDL : ±0.25	±0.5°			DRAWING NO.	IPC-12DN-3D3V.DWG	SIZE	A3
						SCALE	0.25	SHEET: 1 OF 1