

MPC-J4124

Fanless mini box PC, Intel J4125 CPU, 4x i226 LAN, 2x COM, 1xHDMI, 6x USB



Features

- Intel Celeron J4125 quad-core processor
- 4x intel i226 2.5G controllers
- 2x COM(RS-232), COM1 can switch to RS-485 signal
- 1x HDMI (HDMI1.4), Optional to add one DP signal
- 2x USB3.0, 4x USB2.0
- 1x Audio (Line out and MIC two-in-one interface)
- 1x DDR4 2400MHz so-DIMM slot, up to 16GB
- 1x SATA, 1x mSATA
- 1x WiFi or 4G module
- DC 12-19 V power supply
- Supports Pfsense/OPNsense/Ubuntu/win10/win11

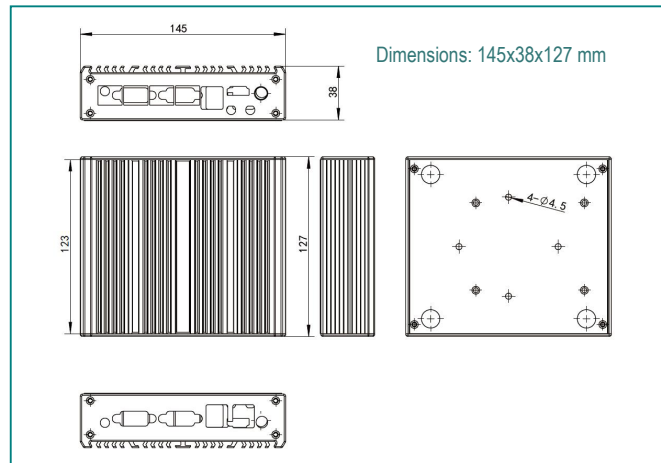
Specifications

Motherboard	
CPU	Intel® Processor N100
BIOS	64Mb Flash ROM
System memory	DDR4 2400MHz so-DIMM
Storage	
SATA	One SATA3.0
MSATA	One mSATA3 socket
Ethernet	
LAN Port	Four RJ-45 ports
Ethernet Controller	Four Intel i226 2.5G network Controllers
System I/O	
USB	Two USB3.0, Four USB2.0
COM	COM1 RS232, COM2 RS232/RS485
Display	One HDMI
Audio	One Line out and MIC two-in-one jack
Power Button	One power switch button
Indicator	One Power LED
GPIO	4-Channel digital input/output
Expansion	One Mini PCIe
Power supply	
Power consumption	DC 12V External power adapter
Power input	100 ~ 240V AC input
Environments	
OS support	Pfsense/OPNsense/Ubuntu/win 10/win11

Operate Temperature	-10°C ~ 60°C
Storage Temperature	-20°C ~ 70°C
Operate Humidity	5% ~ 85% non-condensing
Storage Humidity	5% ~ 95% non-condensing

Mechanical	
Chassis Color	Black
Construction	Fanless and Aluminum extrusion chassis
Dimensions (W x H x D)	145x38x127 mm
Weight	1.4 kg

Dimensions Diagram



Ordering Informations

MPC-J4124

Industrial Mini PC, Aluminum extrusion chassis, Intel Celeron J4125 CPU, 2x COM, 4x 2.5G LAN, 1x HDMI, 6x USB, 1x Audio, DC 12V input